

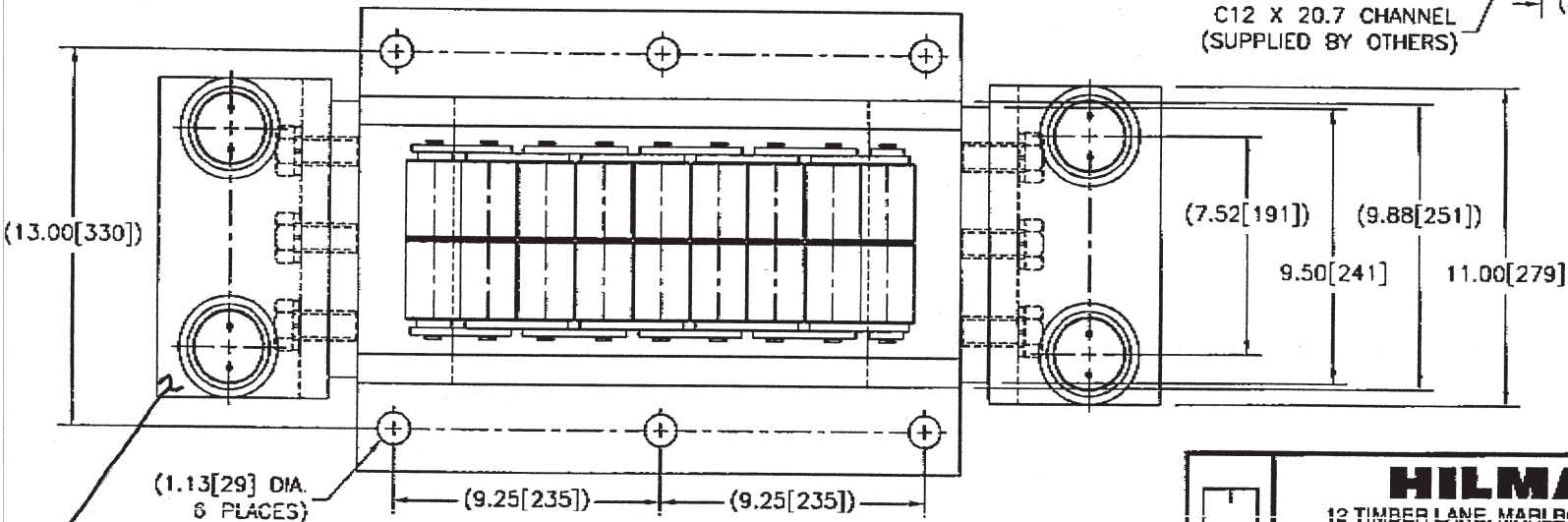
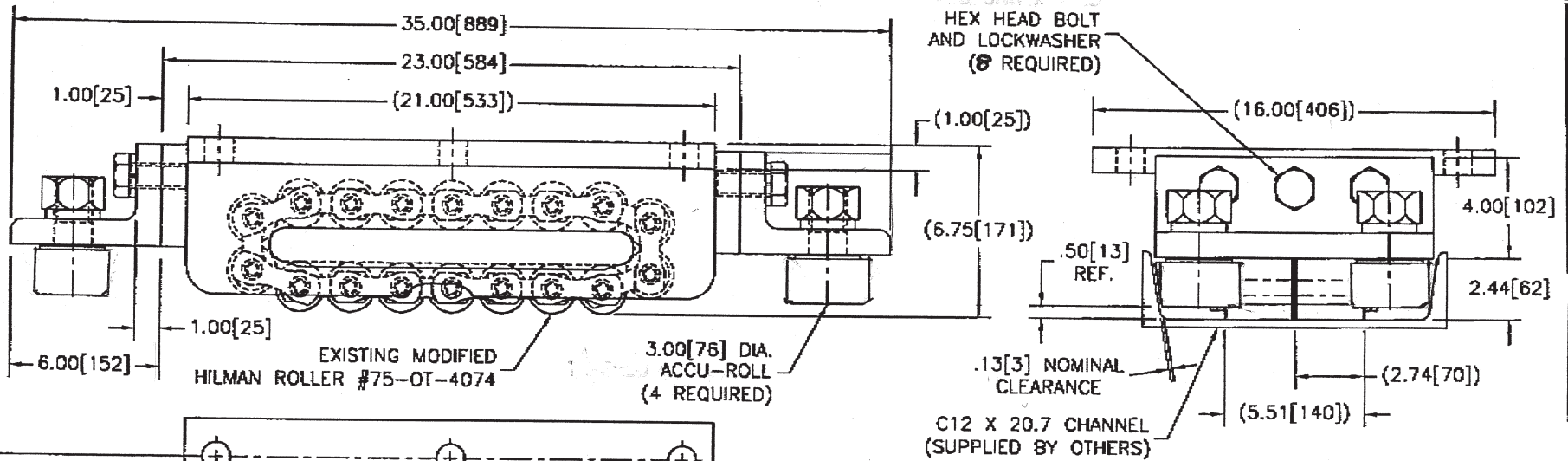
**NOTES:**  
 DIMENSIONS IN INCHES[MILLIMETERS]  
 CAPACITY: 75 TONS

SOME DIMENSIONS ON THIS DRAWING ARE  
 SUBJECT TO FABRICATION TOLERANCES  
 AND ARE SHOWN FOR REFERENCE. IF  
 YOUR APPLICATION REQUIRES SPECIFIC  
 DIMENSIONS, PLEASE CONSULT WITH  
 HILMAN'S SALES DEPARTMENT.

# WARNING

THIS DRAWING IS THE PROPERTY OF  
 HILMAN, INC. IT IS TRANSMITTED  
 CONFIDENTIALLY. REPRODUCTION, USE,  
 OR DISCLOSURE, IN WHOLE OR IN PART,  
 OF ALL DESIGN AND DETAILS CONTAINED  
 HEREIN, IS PROHIBITED.

DATE	REV	REVISION RECORD	DR	CK



IN PLACE OF ANGLE IRON, WE USE A SOLID  
 STEEL BLOCK WITH 4 HEX HD. BOLTS FOR  
 REMOVING.

**HILMAN, INC.**  
 12 TIMBER LANE, MARLBORO, NEW JERSEY 07746 USA

APPROVALS	DATE
DESIGNED	07/20/99
CHECKED	
ENGINEER	
CUSTOMER	

TITLE	SIZE	DWG NO.	REV
MODIFIED ROLLER 75-OT-99105	D	75-OT-99105	2/3
SCALE	REF.	SHEET	1