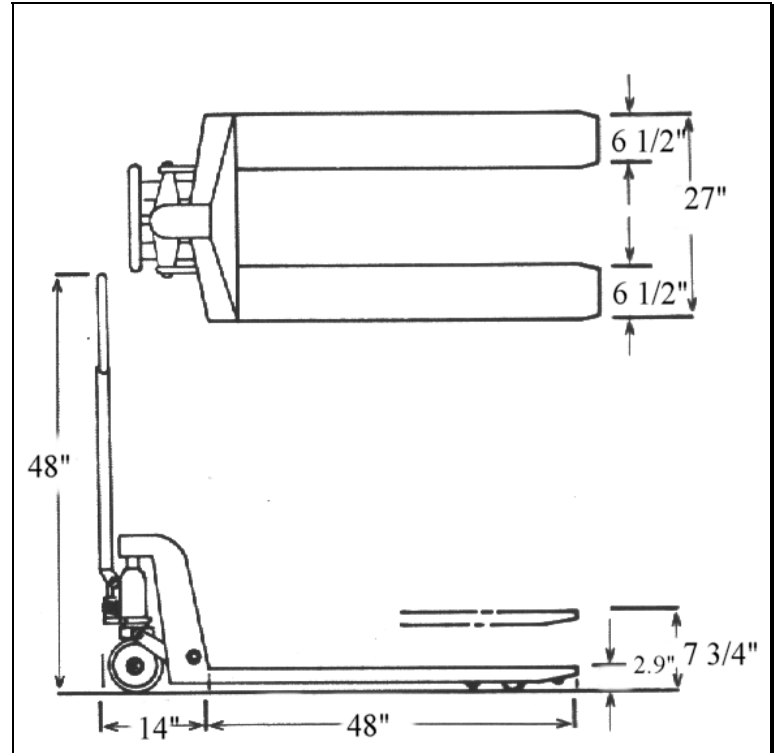
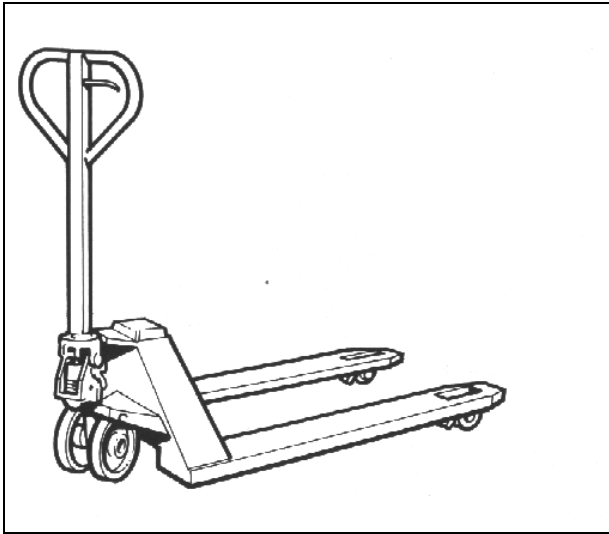




LIFTING GEAR HIRE CORPORATION
PHONE: 800-878-7305 FAX: 708-430-3536
www.lgh-usa.com

5500 lbs. PALLET TRUCK
ATLAS MODEL: AA-5LN



PALLET TRUCK SPECIFICATIONS

Capacity (lbs.)	Weight (lbs.)	Wheel Type	Body Length (Including Pump)	Lowered Height of Forks	Raised Height of Forks
5500	170	Poly / Nylon	14"	2.9"	7 3/4"
		Overall Width Across Forks	Fork Width	Load Roller	Front Wheel (Steer)
		27"	6.5"	2.9" x 3.6"	7" x 2"