

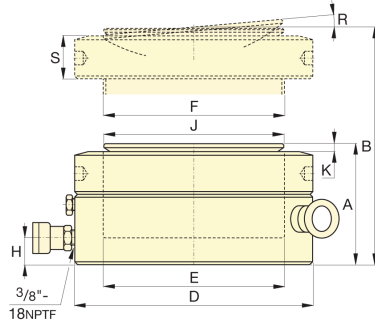


LIFTING GEAR HIRE CORPORATION

PHONE: 800-878-7305 | FAX: 708-430-3536 | www.lgh-usa.com

Hydraulic Cylinders

60 - 500 Ton Single-Acting, Pancake Lock Nut



Key Points:

- Green shaded columns denote rental inventory.

Specifications																
Cylinder Cap. Tons (Max)	Stroke (in)	Model Number	Cylinder Effective Area (in ²)	Oil Cap. (in ³)	Collapse Height A (in)	Extended Height B (in)	Outside Diameter D (in)	Cylinder Bore Diameter E (in)	Plunger Diameter F (mm)	Base to Advance Port H (in)	Saddle Diameter J (in)	Saddle Protrusion from Plunger K (in)	Saddle Max. Tilt Angle R	Lock Nut Height S (in)	Weight (lbs)	
60 (67.1)	1.97	CLP-602	13.42	26.42	4.92	6.89	5.51	4.13	Tr 104 x 4	.75	3.78	.24	5°	1.10	33	
100 (113.7)	1.97	CLP-1002	22.75	44.78	5.39	7.36	6.89	5.38	Tr 136 x 6	.83	4.96	.31	5°	1.22	57	
160 (179.2)	1.77	CLP-1602	35.85	63.51	5.83	7.60	8.66	6.76	Tr 171 x 6	1.06	6.30	.35	5°	1.57	97	
200 (221.3)	1.77	CLP-2002	44.27	78.43	6.10	7.87	9.65	7.51	Tr 190 x 6	1.18	7.09	.39	5°	1.69	125	
250 (284.2)	1.77	CLP-2502	56.85	100.72	6.26	8.03	10.83	8.51	Tr 216 x 6	1.26	7.87	.43	5°	1.73	163	
400 (433.6)	1.77	CLP-4002	86.72	153.64	7.01	8.78	13.78	10.51	Tr 266 x 6	1.54	9.84	.43	4°	2.17	295	
500 (566.2)	1.77	CLP-5002	113.25	200.63	7.56	9.33	15.75	12.01	Tr 305 x 6	1.89	11.42	.39	3°	2.44	416	