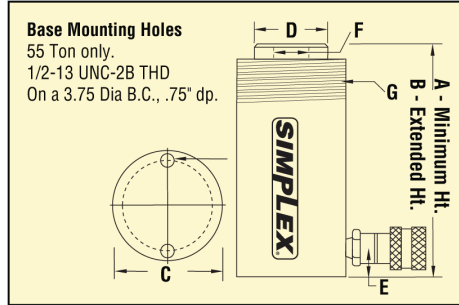




# LIFTING GEAR HIRE CORPORATION

PHONE: 800-878-7305 | FAX: 708-430-3536 | www.lgh-usa.com

## Hydraulic Cylinders 30 - 1,000 Ton Spring Return



### Key Points:

- Green shaded columns denote rental inventory.
- Power pumps are suggested for these units.

### Specifications

| Model Number | Cap. (tons) | Stroke (in) | A Min. Ht. (in) | B Ext. Ht. (in) | Ram Bore Dia. (in) | Effect Area (sq in) | Pres. @ Cap. (psi) | Oil Cap. Req'd (cu in) | C Body O.D. (in) | D Piston O.D. (in) | E Base to Port C/L (in) | F                       |                         | G                  |                         | Weight (lbs) | Sugstd. Hand Pump |
|--------------|-------------|-------------|-----------------|-----------------|--------------------|---------------------|--------------------|------------------------|------------------|--------------------|-------------------------|-------------------------|-------------------------|--------------------|-------------------------|--------------|-------------------|
|              |             |             |                 |                 |                    |                     |                    |                        |                  |                    |                         | Piston I.D. Thrds. (in) | Piston Thrd. Depth (in) | Collar Thrds. (in) | Collar Thrd. Lgth. (in) |              |                   |
| R308         | 30          | 8 1/4       | 15 1/4          | 23 1/2          | 2 7/8              | 6.49                | 9,245              | 53.6                   | 4                | 2 1/4              | 2 1/4                   | 1 1/2 x 16              | 1 3/16                  | 3 5/16 x 12        | 1 15/16                 | 40.0         | P82               |
| R552         | 55          | 2           | 6 15/16         | 8 15/16         | 3 3/4              | 11.05               | 9,955              | 22.1                   | 5                | 3 1/8              | 1 3/8                   |                         |                         | 5 x 12             | 2 1/8                   | 32.0         | P42               |
| R554         |             | 4           | 8 15/16         | 12 15/16        |                    |                     |                    | 54.0                   |                  |                    |                         |                         |                         |                    |                         | 42.0         | P82               |
| R556         |             | 6 1/4       | 11 1/8          | 17 3/8          |                    |                     |                    | 69.0                   |                  |                    |                         |                         |                         |                    |                         | 50.0         |                   |
| R5513        |             | 13 1/4      | 18 1/8          | 31 3/8          |                    |                     |                    | 146.3                  |                  |                    |                         |                         |                         |                    |                         | 78.0         |                   |
| R756         |             | 6 1/8       | 11 1/4          | 17 3/8          |                    |                     |                    | 97.4                   |                  |                    |                         |                         |                         |                    |                         | 63.0         |                   |
| R7513        | 75          | 13 1/8      | 19 3/8          | 32 1/2          | 4 1/2              | 15.90               | 9,430              | 208.0                  | 5 3/4            | 3 3/4              | 1 3/16                  | 5 3/4 x 12              | 1 3/4                   | 130.0              | †                       |              |                   |
| R1006        | 100         | 6 5/8       | 13 1/4          | 20 11/16        | 5 1/8              | 20.63               | 9,695              | 137.0                  | 6 1/4            | 4 1/8              |                         |                         |                         | 6 1/4 x 12         | 2 1/4                   | 90.0         |                   |
| R10010       |             | 10 1/4      | 16 7/8          | 27 15/16        |                    |                     |                    | 212.0                  |                  |                    |                         |                         |                         |                    |                         | 110.0        |                   |