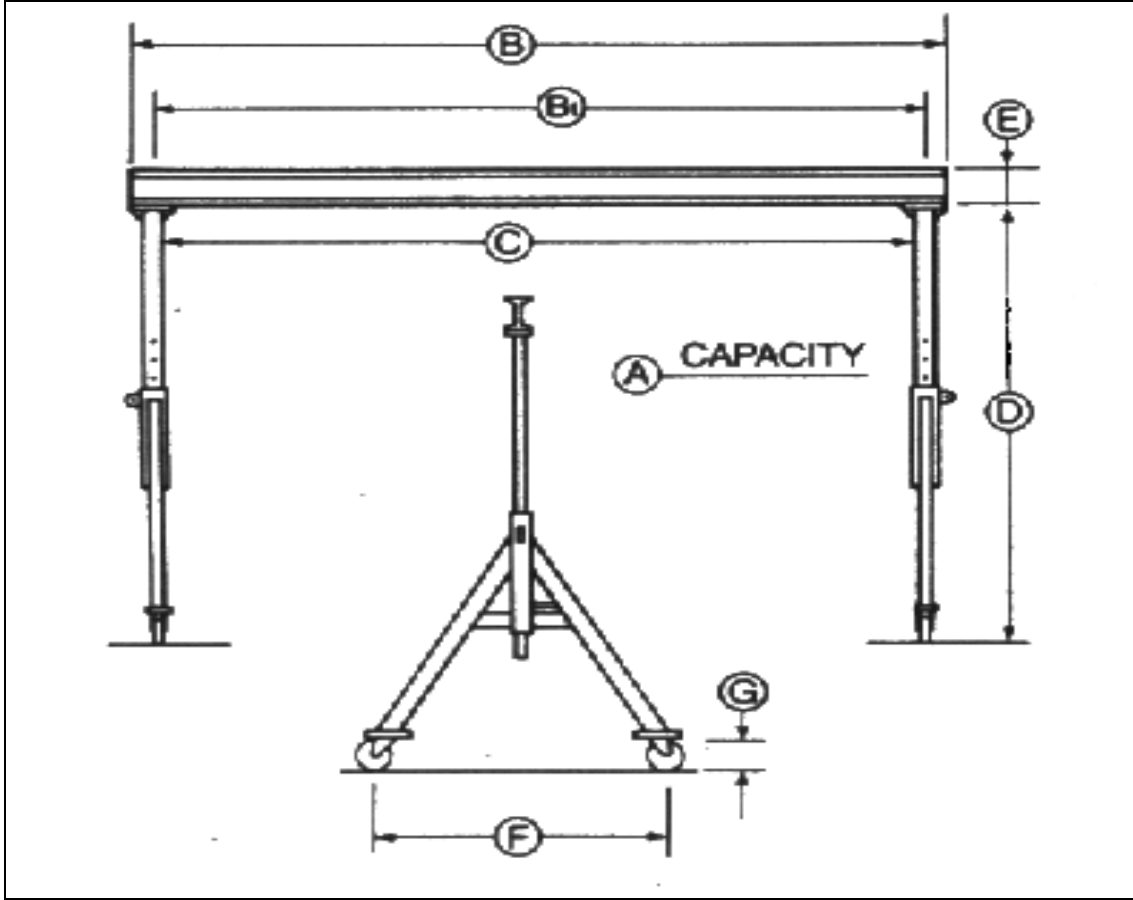




**LIFTING GEAR HIRE CORPORATION**  
**PHONE: 800-878-7305 FAX: 708-430-3536**  
**www.lgh-usa.com**  
**7 1/2 TON ADJUSTABLE GANTRY**  
**SPANCO A SERIES**



**GANTRY DIMENSIONS (in.)**

A	B	B1	C	D	E	F	G
7.5 Ton	10' - 40'	B - 11"	B - 17"	9'0" - 13'0" (or) 12'0" - 16'0"	*	6'6"	12"

**GANTRY SPECIFICATIONS**

Rated Load (lbs.)	Weight Legs (LBS.)	Height Under The Beam (D) Min / Max
15,000	1080 / 1182 #	9'0" 13'0" (or) 12'0" 16'0"

\* = I-Beam Depth will vary depending on length of beam used