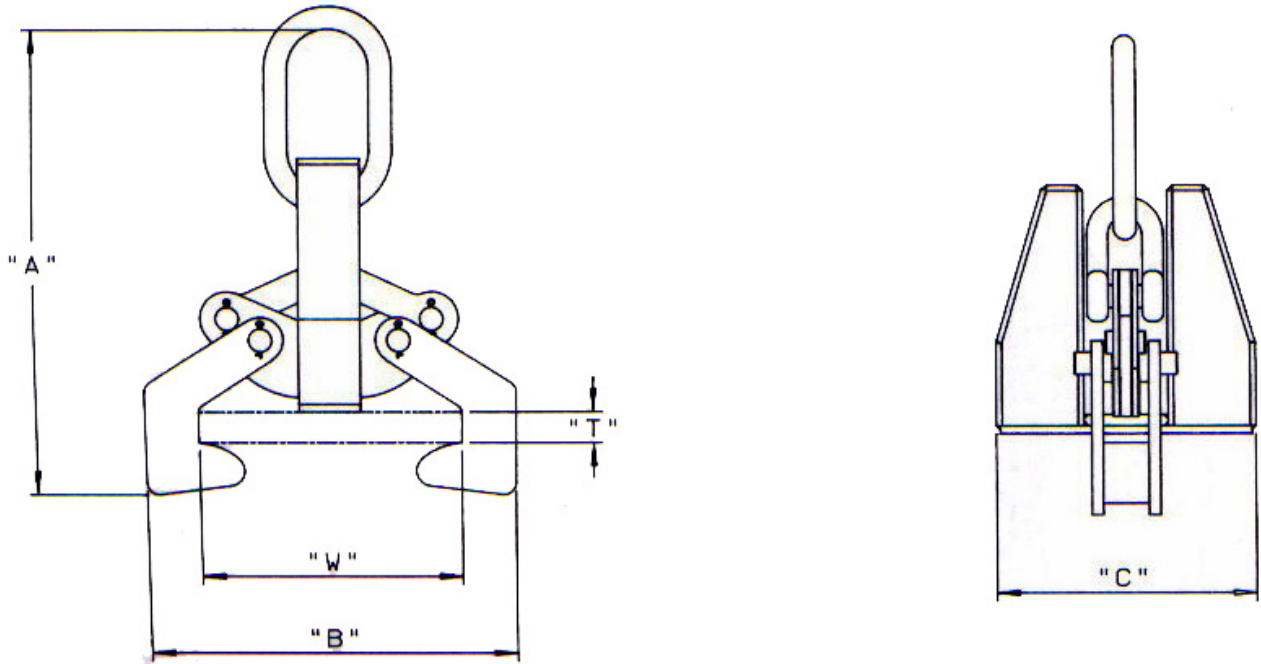




LIFTING GEAR HIRE CORPORATION
 PHONE: 800-878-7305 FAX: 708-430-3536
 www.lgh-usa.com
25 TON BEAM CLAMPS
CALDWELL F-25



BEAM CLAMP DIMENSIONS (in.)

A	B	C	W min	W max	T max
53"	37.5"	22"	16"	24"	3"

BEAM CLAMP SPECIFICATIONS

WLL	Flange Width	Flange Depth	Weight
25 ton	16" - 24"	3"	590 lbs.