



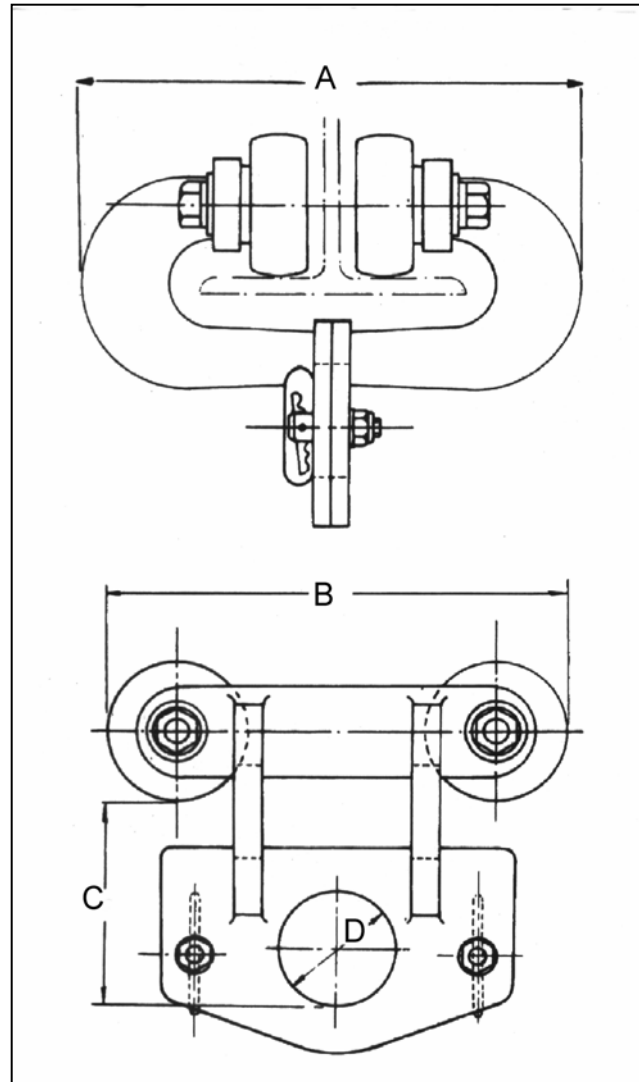
LIFTING GEAR HIRE CORPORATION

PHONE: 800-878-7305 FAX: 708-430-3536

www.lgh-usa.com

6 TON BEAM TROLLEY

Riggers Model



BEAM TROLLEY DIMENSIONS (in.)

A	B	C	Weight	S.W.L.	Flange Size
17.76"	12.25"	6.38"	75#	12,000 LBS.	4" - 10"