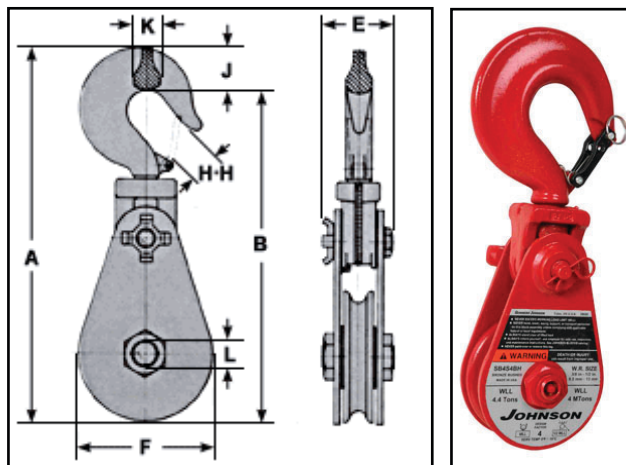


Sheave Blocks

12 - 30 Ton Single Sheave / Hook Top



Specifications												
Model	Standard Wire Rope Size	Maximum Allow	Weight	Overall Length A	Net Length B	Thickness E	Width F	Throat Opening		Hook Thickness J	Hook Width K	Center Pin Dia. L
								No Latch H	Light Duty H			
12-TON 1-SHEAVE SNATCH BLOCKS, WITH HOOK, 6-16 INCHES												
SB12S6BH	3/4 - 7/8	1 - 1/2	42	20.750	18.125	4.375	6.250	2.500	N/A	2.625	1.625	2
SB12S6RH	3/4 - 7/8	1 - 1/2	42	20.750	18.125	4.375	6.250	2.500	N/A	2.625	1.625	2
SB12S8BH	3/4 - 7/8	1 - 1/2	53	22.750	20.125	4.375	8.250	2.500	N/A	2.625	1.625	2
SB12S8RH	3/4 - 7/8	1 - 1/2	53	22.750	20.125	4.375	8.250	2.500	N/A	2.625	1.625	2
SB12S10BH	3/4 - 7/8	1 - 1/2	66	24.750	22.125	4.375	10.250	2.500	N/A	2.625	1.625	2
SB12S10RH	3/4 - 7/8	1 - 1/2	66	24.750	22.125	4.375	10.250	2.500	N/A	2.625	1.625	2
SB12S12BH	3/4 - 7/8	1 - 1/2	75	26.750	24.125	4.375	12.250	2.500	N/A	2.625	1.625	2
SB12S12RH	3/4 - 7/8	1 - 1/2	75	26.750	24.125	4.375	12.250	2.500	N/A	2.625	1.625	2
SB12S14BH	3/4 - 7/8	1 - 1/2	92	28.750	26.125	4.375	14.250	2.500	N/A	2.625	1.625	2
SB12S14RH	3/4 - 7/8	1 - 1/2	92	28.750	26.125	4.375	14.250	2.500	N/A	2.625	1.625	2
SB12S16BH	3/4 - 7/8	1 - 1/2	119	30.750	28.125	4.375	16.250	2.500	N/A	2.625	1.625	2
SB12S16RH	3/4 - 7/8	1 - 1/2	119	30.750	28.125	4.375	16.250	2.500	N/A	2.625	1.625	2
22-TON 1-SHEAVE SNATCH BLOCKS, WITH HOOKS, 8-18 INCHES												
SB22S8BH	1 - 1 1/8	1 - 1/2	102	28.125	25.125	5.312	8.625	3.375	N/A	3	2.375	2.250
SB22S8RH	1 - 1 1/8	1 - 1/2	102	28.125	25.125	5.312	8.625	3.375	N/A	3	2.375	2.250
SB22S10BH	1 - 1 1/8	1 - 1/2	125	30	27	5.312	10.375	3.375	N/A	3	2.375	2.250
SB22S10RH	1 - 1 1/8	1 - 1/2	125	30	27	5.312	10.375	3.375	N/A	3	2.375	2.250
SB22S12BH	1 - 1 1/8	1 - 1/4	131	32	29	5.312	12.500	3.375	N/A	3	2.375	2.250
SB22S12RH	1 - 1 1/8	1 - 1/4	131	32	29	5.312	12.500	3.375	N/A	3	2.375	2.250
SB22S14BH	1 - 1 1/8	1 - 3/8	149	34.125	31.125	5.312	14.500	3.375	N/A	3	2.375	2.250
SB22S14RH	1 - 1 1/8	1 - 3/8	149	34.125	31.125	5.312	14.500	3.375	N/A	3	2.375	2.250
SB22S16BH	1 - 1 1/8	1 - 1/2	178	36	33	5.312	16.125	3.375	N/A	3	2.375	2.250
SB22S16RH	1 - 1 1/8	1 - 1/2	178	36	33	5.312	16.125	3.375	N/A	3	2.375	2.250
SB22S18BH	1 - 1 1/8	1 - 1/2	214	38	35	5.312	18.125	3.375	N/A	3	2.375	3.500
SB22S18RH	1 - 1 1/8	1 - 1/2	214	38	35	5.312	18.125	3.375	N/A	3	2.375	3.500
30-TON 1-SHEAVE SNATCH BLOCKS, WITH HOOKS, 20-24 INCHES												
SB30S20BH	1 1/8 - 1 1/4	1-3/8	341	47.875	44.125	5.875	20.250	4	N/A	3.750	3	3.500
SB30S20RH	1 1/8 - 1 1/4	1-3/8	341	47.875	44.125	5.875	20.250	4	N/A	3.750	3	3.500
SB30S24BH	1 1/8 - 1 1/4	1-3/8	461	52	48.250	5.875	20.250	4	N/A	3.750	3	3.500
SB30S24RH	1 1/8 - 1 1/4	1-3/8	461	52	48.250	5.875	20.250	4	N/A	3.750	3	3.500

Green shading reflects rental inventory.



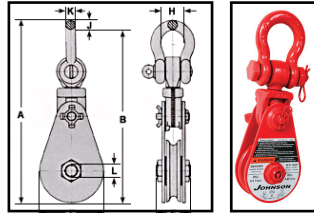
Lifting Gear Hire Corporation | 800.878.7305

103

www.lgh-usa.com | Pulling

Sheave Blocks

2 - 12 Ton Single Sheave / Shackle Top



Specifications											
Model	Standard Wire Rope Size	Maximum Allow	Weight	Overall Length A	Net Length B	Thickness E	Width F	Inside Width A	Shackle Thickness J	Shackle Width K	Center Pin Dia. L
2-TON 1-SHEAVE SNATCH BLOCKS, WITH SHACKLE, 3 INCHES											
SB2S3BS	5/16 - 3/8	N/A	9	10.814	10.314	2.500	3.375	1.312	N/A	.500	.500
4-TON 1-SHEAVE SNATCH BLOCKS, WITH SHACKLE, 4-14 INCHES											
SB4S4BS	3/8 - 1/2	3/4	15	14.375	13.500	3.281	4.750	2.250	.875	.875	1
SB4S4RS	3/8 - 1/2	3/4	15	14.375	13.500	3.281	4.750	2.250	.875	.875	1
SB4S6BS	3/8 - 1/2	3/4	18	16.500	15.625	3.281	6.250	2.250	.875	.875	1
SB4S6RS	3/8 - 1/2	3/4	18	16.500	15.625	3.281	6.250	2.250	.875	.875	1
SB4S8BS	3/8 - 1/2	3/4	22	18.500	17.625	3.281	8.250	2.250	.875	.875	1
SB4S8RS	3/8 - 1/2	3/4	22	18.500	17.625	3.281	8.250	2.250	.875	.875	1
SB4S10BS	3/8 - 1/2	3/4	34	20.500	19.625	3.281	10.250	2.250	.875	.875	1.250
SB4S10RS	3/8 - 1/2	3/4	34	20.500	19.625	3.281	10.250	2.250	.875	.875	1.250
SB4S12BS	3/8 - 1/2	7/8	39	22.500	21.625	3.281	12.250	2.250	.875	.875	1.250
SB4S12RS	3/8 - 1/2	7/8	39	22.500	21.625	3.281	12.250	2.250	.875	.875	1.250
SB4S14BS	3/8 - 1/2	3/4	41	24.500	23.625	3.281	14.250	2.250	.875	.875	1.250
SB4S14RS	3/8 - 1/2	3/4	41	24.500	23.625	3.281	14.250	2.250	.875	.875	1.250
8-TON 1-SHEAVE SNATCH BLOCKS, WITH SHACKLE, 6-14 INCHES											
SB8S6BS	5/8 - 3/4	1	29	19.250	18.250	3.687	6.250	2.562	1	1	1.500
SB8S6RS	5/8 - 3/4	1	29	19.250	18.250	3.687	6.250	2.562	1	1	1.500
SB8S8BS	5/8 - 3/4	7/8	33	21.250	20.250	3.687	8.250	2.562	1	1	1.500
SB8S8RS	5/8 - 3/4	7/8	33	21.250	20.250	3.687	8.250	2.562	1	1	1.500
SB8S10BS	5/8 - 3/4	3/4	41	23.250	22.250	3.687	10.250	2.562	1	1	1.500
SB8S10RS	5/8 - 3/4	3/4	41	23.250	22.250	3.687	10.250	2.562	1	1	1.500
SB8S12BS	5/8 - 3/4	7/8	46	25.250	24.250	3.687	12.250	2.562	1	1	1.500
SB8S12RS	5/8 - 3/4	7/8	46	25.250	24.250	3.687	12.250	2.562	1	1	1.500
SB8S14BS	5/8 - 3/4	7/8	58	27.250	26.250	3.687	14.250	2.562	1	1	1.500
SB8S14RS	5/8 - 3/4	7/8	58	27.250	26.250	3.687	14.250	2.562	1	1	1.500
12-TON 1-SHEAVE SNATCH BLOCKS, WITH SHACKLE, 6-16 INCHES											
SB12S6BS	3/4 - 7/8	1 - 1/8	42	21.250	20	4.375	6.250	3.125	1.250	1.250	2
SB12S6RS	3/4 - 7/8	1 - 1/8	42	21.250	20	4.375	6.250	3.125	1.250	1.250	2
SB12S8BS	3/4 - 7/8	1 - 1/8	53	23.250	22	4.375	8.250	3.125	1.250	1.250	2
SB12S8RS	3/4 - 7/8	1 - 1/8	53	23.250	22	4.375	8.250	3.125	1.250	1.250	2
SB12S10BS	3/4 - 7/8	1 - 1/8	66	25.250	24	4.375	10.250	3.125	1.250	1.250	2
SB12S10RS	3/4 - 7/8	1 - 1/8	66	25.250	24	4.375	10.250	3.125	1.250	1.250	2
SB12S12BS	3/4 - 7/8	1 - 1/8	75	27.250	26	4.375	12.250	3.125	1.250	1.250	2
SB12S12RS	3/4 - 7/8	1 - 1/8	75	27.250	26	4.375	12.250	3.125	1.250	1.250	2
SB12S14BS	3/4 - 7/8	1 - 1/8	92	29.250	28	4.375	14.250	3.125	1.250	1.250	2
SB12S14RS	3/4 - 7/8	1 - 1/8	92	29.250	28	4.375	14.250	3.125	1.250	1.250	2
SB12S16BS	3/4 - 7/8	7/8	119	31.250	30	4.375	16.250	3.125	1.250	1.250	2
SB12S16RS	3/4 - 7/8	7/8	119	31.250	30	4.375	16.250	3.125	1.250	1.250	2

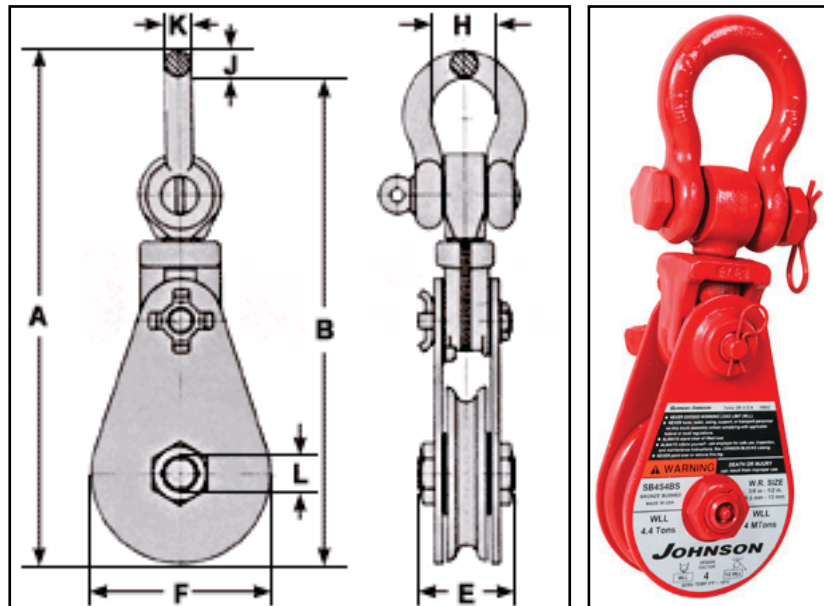
Green shading reflects rental inventory.

Sales@lgh-usa.com | Pulling



Sheave Blocks

22 - 30 Ton Single Sheave / Shackle Top



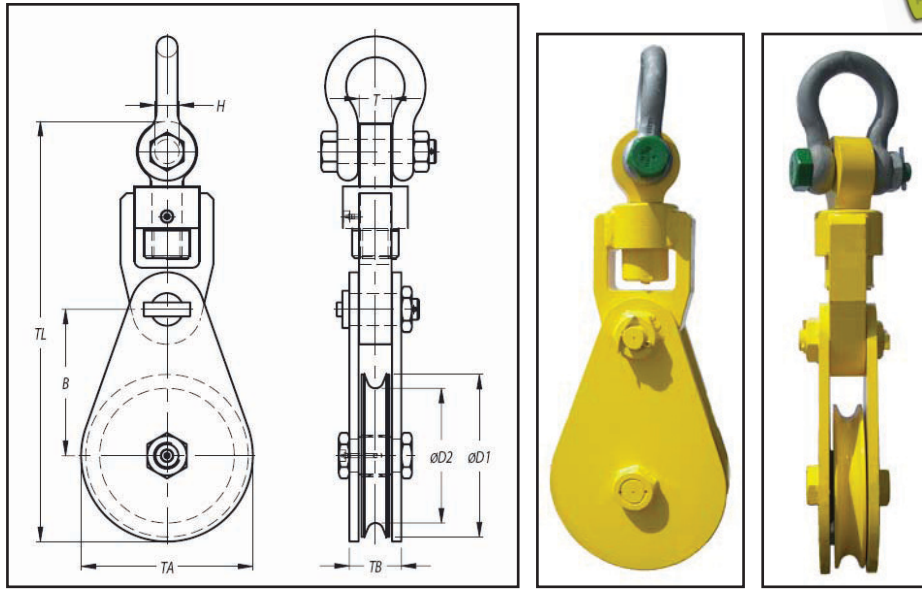
Specifications											
Model	Standard Wire Rope Size	Maximum Allow	Weight	Overall Length A	Net Length B	Thickness E	Width F	Inside Width H	Shackle Thickness J	Shackle Width K	Center Pin Dia. L
22-TON 1-SHEAVE SNATCH BLOCKS, WITH SHACKLE, 8-18 INCHES											
SB22S8BS	1 - 1½	1-1/8	102	29.875	28.125	5.312	8.625	4.875	1.750	1.750	2.250
SB22S8RS	1 - 1½	1-1/8	102	29.875	28.125	5.312	8.625	4.875	1.750	1.750	2.250
SB22S10BS	1 - 1½	1-1/8	125	31.750	30	5.312	10.375	4.875	1.750	1.750	2.250
SB22S10RS	1 - 1½	1-1/8	125	31.750	30	5.312	10.375	4.875	1.750	1.750	2.250
SB22S12BS	1 - 1½	1-1/8	131	33.750	32	5.312	12.500	4.875	1.750	1.750	2.250
SB22S12RS	1 - 1½	1-1/8	131	33.750	32	5.312	12.500	4.875	1.750	1.750	2.250
SB22S14BS	1 - 1½	1-1/8	149	35.675	34.125	5.312	14.500	4.875	1.750	1.750	2.250
SB22S14RS	1 - 1½	1-1/8	149	35.675	34.125	5.312	14.500	4.875	1.750	1.750	2.250
SB22S16BS	1 - 1½	1-1/8	178	37.750	36	5.312	16.125	4.875	1.750	1.750	2.250
SB22S16RS	1 - 1½	1-1/8	178	37.750	36	5.312	16.125	4.875	1.750	1.750	2.250
SB22S18BS	1 - 1½	1-1/8	214	39.750	38	5.312	18.125	4.875	1.750	1.750	3.500
SB22S18RS	1 - 1½	1-1/8	214	39.750	38	5.312	18.125	4.875	1.750	1.750	3.500
30-TON 1-SHEAVE SNATCH BLOCKS, WITH SHACKLE, 20-24 INCHES											
SB30S20BS	1½ - 1¼	1-3/8	341	50.875	48.625	5.875	20.250	6.500	2.250	2.250	3.500
SB30S20RS	1½ - 1¼	1-3/8	341	50.875	48.625	5.875	20.250	6.500	2.250	2.250	3.500
SB30S24BS	1½ - 1¼	1-3/8	461	55.125	52.875	5.875	24.625	6.500	2.250	2.250	3.500
SB30S24RS	1½ - 1¼	1-3/8	461	55.125	52.875	5.875	24.625	6.500	2.250	2.250	3.500

Green shading reflects rental inventory.



Sheave Blocks

17 - 132 Ton Single Sheave, Shackle Top HL Series



Specifications

Model	SWL US ton	Wire ød inch		Dimensions (inch)							Weight LBS.	
				øD1	øD2	B	H	T	TA	TB		TL
VB 150.28.1.20.S	22	1	1 1/8	7 3/4	5 7/8	8 1/4	2 1/16	2 3/4	8 1/4	4 1/8	26 3/4	135
VB 190.32.1.25.S	28	1 1/8	1 1/4	9 13/16	7 1/2	10 7/16	2 1/16	2 3/4	10 5/8	4 7/8	31 1/2	180
VB 240.26.1.15.S	17	1	1	11 13/16	9 7/16	11 7/16	1 3/4	2 3/16	12 5/8	4 1/8	31 7/8	220
VB 240.28.1.20.S	22	1	1 1/8	11 13/16	9 7/16	11 7/16	2 1/16	2 3/4	12 5/8	4 1/8	32 1/16	220
VB 240.32.1.25.S	28	1 1/8	1 1/4	11 13/16	9 7/16	11 7/16	2 1/16	2 3/4	12 5/8	4 7/16	33 7/16	220
VB 290.32.1.25.S	28	1 1/8	1 1/4	13 3/4	11 7/16	12 3/8	2 1/16	2 3/4	14 9/16	4 7/16	35 7/16	245
VB 345.36.1.32.S	35	1 1/4	1 1/2	15 3/4	13 9/16	13 3/8	2 5/16	3 1/8	16 1/8	4 13/16	39 3/16	320
VB 390.32.1.25.S	28	1 1/8	1 1/4	17 11/16	15 1/4	14 3/8	2 1/16	2 3/4	18 1/2	4 7/16	39 3/8	375
VB 390.32.1.32.S	35	1	1 1/4	17 11/16	15 1/4	13 3/4	2 1/16	2 3/4	18 1/2	4 7/16	39 1/2	310
VB 390.36.1.32.S	35	1 1/4	1 7/16	17 11/16	15 1/4	14 3/8	2 5/16	3 1/8	18 1/2	4 13/16	41 1/8	375
VB 390.38.1.40.S	44	1 1/4	1 1/2	17 11/16	15 1/4	15 3/8	2 5/8	3 9/16	18 1/2	5 3/16	44 7/8	445
VB 430.32.1.32.S	35	1 1/8	1 1/4	19 1/2	16 15/16	15 3/4	2 5/16	3 1/8	20 1/4	4 13/16	43 5/16	465
VB.430.38.1.32.S	35	1 1/4	1 1/2	19 1/2	17	14 3/4	2 1/8	2 3/4	20	4 7/16	41 1/4	330
VB 430.38.1.40.S	44	1 1/4	1 1/2	19 1/2	16 15/16	16 5/16	2 5/8	3 9/16	20 1/4	5 3/16	46 3/4	610
VB 430.44.1.65.S	72	1 1/2	1 3/4	19 1/2	16 15/16	16 5/16	3 3/8	4 3/4	20 1/4	6 3/4	50 1/2	750
VB 430.54.1.46.S	51	-	2 1/8	19 1/2	16 15/16	16 5/16	2 5/16	3 1/8	20 1/4	5 9/16	47 5/8	500
VB 520.32.1.32.S	35	1 1/8	1 1/4	23 7/16	20 1/2	18 1/8	2 5/16	3 1/8	24 3/16	4 13/16	47 5/8	555
VB 520.38.1.50.S	55	1 1/4	1 1/2	23 7/16	20 1/2	18 1/8	2 13/16	3 15/16	24 3/16	5 9/16	51 5/16	730
VB 520.44.1.65.S	72	1 1/2	1 3/4	23 7/16	20 1/2	18 1/8	3 3/8	4 3/4	24 3/16	6 3/4	54 1/4	1,015
VB 520.50.1.55.S	60	-	2	20 1/2	18 1/8	2 5/16	2 5/16	3 1/8	24	5 9/16	50 3/8	680
VB 560.51.1.85.S	94	1 3/4	2	26 3/16	22 1/16	20 11/16	3 3/8	4 3/4	26 5/16	7 15/16	59 15/16	1,180
VB 600.51.1.85.S	94	1 3/4	2	28 3/4	23 5/8	22 1/16	3 3/8	4 3/4	29 1/2	7 15/16	62 5/8	1,325
VB 600.56.1.120.S	132	2 1/16	2 3/16	28 3/4	23 5/8	24	3 13/16	5 1/2	29 1/2	7 15/16	67 11/16	1,545
VB 630.51.1.85.S	94	1 3/4	2	29 1/2	24 13/16	22 7/16	3 3/8	4 3/4	30 5/16	7 15/16	63 3/8	1,380
VB 630.56.1.120.S	132	2 1/16	2 3/16	29 1/2	24 13/16	24 7/16	3 13/16	5 1/2	30 5/16	7 15/16	68 1/2	1,655

Minimum Ultimate Strength = 4 x SWL
Green shading reflects rental inventory.



Sales@lgh-usa.com | Pulling