

# Material Lifts

## Specifications

SLA™ Model



SLC™ Model



Specifications																		
Model	Height (stowed)		Length (stowed)		Length (operating)		Width		Load Height (minimum)		Ground clearance		Load Capacity		Machine Weight			
	in	m	in	m	in	m	in	m	in	m	in	m	lb	kg	Standard base		Straddle base	
																lb	kg	lb
SLA-5	78.5	1.99	29	.74	59.5	1.51	31.5	.80	6	.15	2	.05	1,000	454	215	98	258	117
SLA-10	78.5	1.99	29	.74	59.5	1.51	31.5	.80	6	.15	2	.05	1,000	454	260	118	303	137
SLA-15	78.5	1.99	29	.74	74	1.88	31.5	.80	6	.15	2	.05	800	363	333	151	360	163
SLA-20	78.5	1.99	29	.74	82	2.08	31.5	.80	6	.15	2	.05	800	363	405	184	—	—
SLA-25	78.5	1.99	31	.79	82	2.08	31.5	.80	6	.15	2	.05	650	295	450	204	—	—
SLC-6	86	2.18	34	.86	59	1.5	31.5	.80	6	.15	2	.05	650	295	166	75	—	—
SLC-12	86	2.18	34	.86	63	1.6	31.5	.80	6	.15	2	.05	650	295	225	102	—	—
SLC-18	86	2.18	34	.86	73	1.85	31.5	.80	6	.15	2	.05	650	295	307	139	—	—
SLC-24	86	2.18	34	.86	81	2.06	31.5	.80	6	.15	2	.05	650	295	374	157	—	—

Width for SLA measures width of standard base machines stowed. Width for PSLA measures minimum width from outside legs.  
Green shading reflects rental inventory.

Specifications						
Working height Standard Forks						
Model	Forks down		Forks up		Boom	
	ft/in	m	ft/in	m	ft/in	m
SLA-5	4 ft 10.5 in	1.49	6 ft 7 in	2	5 ft 10.5 in	1.79
SLA-10	9 ft 9 in	2.97	11 ft 5.5 in	3.49	10 ft 9 in	3.28
SLA-15	14 ft 7.5 in	4.46	16 ft 4 in	4.98	15 ft 7.5 in	4.76
SLA-20	19 ft 6 in	5.94	21 ft 2.5 in	6.46	20 ft 6 in	6.25
SLA-25	24 ft 4 in	7.42	26 ft .5 in	7.94	24 ft 4 in	7.42
SLC-6	5 ft 8 in	1.72	7 ft 5 in	2.26	6 ft 8 in	2
SLC-12	11 ft 2 in	3.4	12 ft 11 in	3.94	12 ft 2 in	3.7
SLC-18	16 ft 9 in	5.1	18 ft 6 in	5.64	17 ft 9 in	5.41
SLC-24	22 ft 3 in	6.78	24 ft	7.32	23 ft 3 in	7.1

Green shading reflects rental inventory.



# Material Lifts

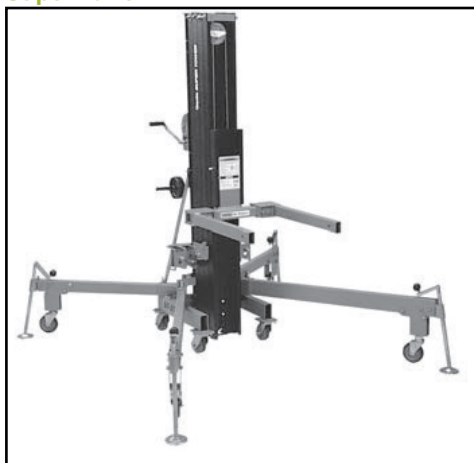
## Specifications



Super Hoist™



Super Tower™



Super Hoist™ Specifications																	
Model	Height		Platform Length		Platform Width		Base Width (corner to corner)		Load Capacity		Lifting Height		Dimensions for storage/transport		Weight		
	in	m	in	m	in	m	in	m	lb	kg	ft/in	m	in	m	lb	kg	
GH 3.8	41	1.04	19	.48	24	.61	53	1.35	300	136	12ft 5.625in	3.8	14 x 14 x 39.5	.36 cm x .36 cm x 1	75	34	
GH 5.6	54	1.37	19	.48	24	.61	53	1.35	250	113	18ft 4.5in	5.6	14 x 14 x 39.5	.36 cm x .36 cm x 1	82	37	

Green shading reflects rental inventory.

Super Tower™ Specifications																				
Model	Height (stowed)		Width (stowed)		Length (stowed)		Load height minimum		Ground clearance		Outrigger footprint		Load Capacity at 18 in (46 cm) load center		Weight		Working height (forks down)		Working height (forks up)	
	in	m	in	m	in	m	in	m	in	m	in	m	lb	kg	lb	kg	ft/in	m	ft/in	m
ST-20	78.75	2.2	22	.56	25.25	64	6	.15	2	.05	73.5 x 79.5	1.87 x 2.02	800	363	507	230	19ft 6in	5.94	21ft 2.5in	6.46
ST-25	78.75	2.2	22	.56	25.25	64	6	.15	2	.05	73.5 x 79.5	1.87 x 2.02	650	295	555	252	24ft 4in	7.42	26ft .5in	7.94

Sales@lgh-usa.com | Material Handling

