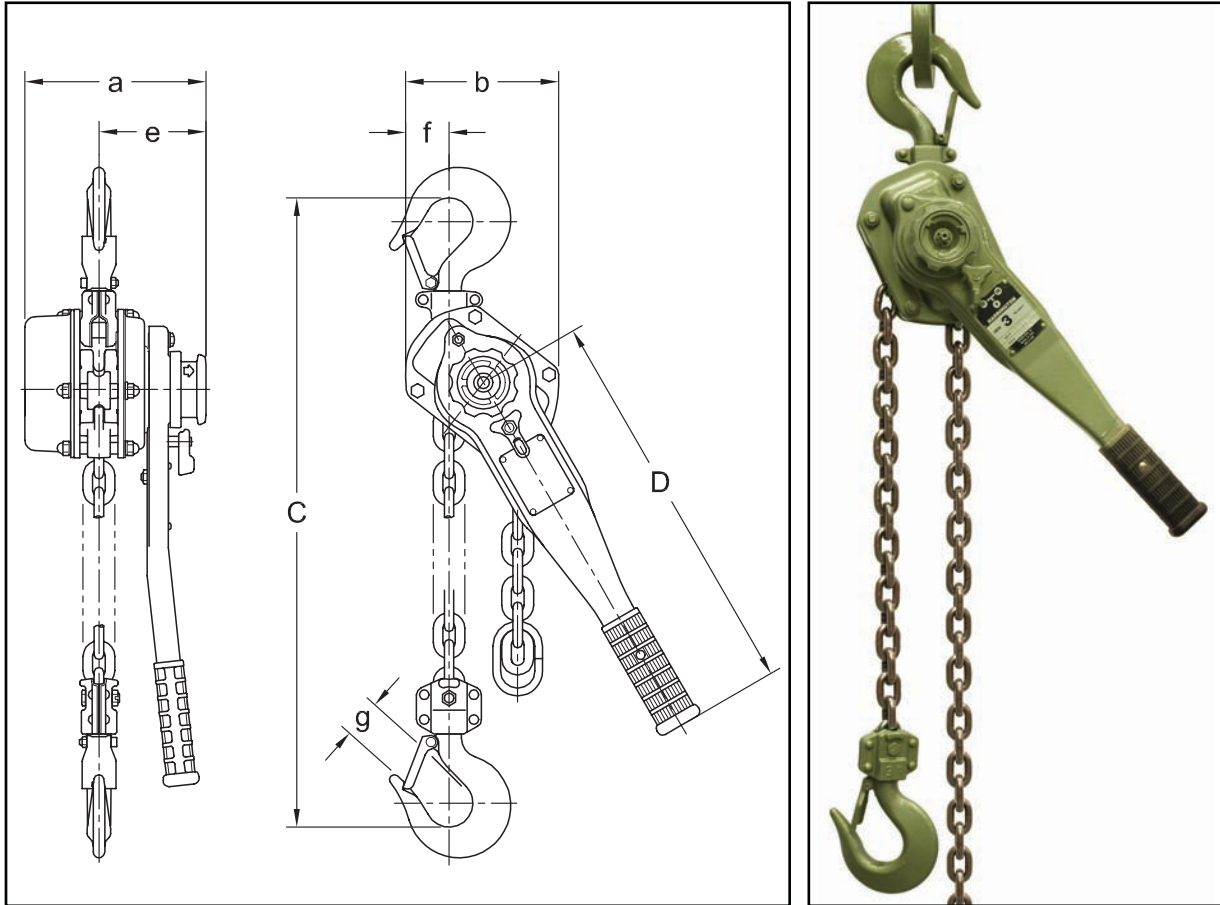


Come-A-Longs

Model L4 - 3/4 – 9 Ton LB Lever Hoist Specifications

Dimensions & Specifications														
Cap. (Tons)	Model	Headroom C	Std. Lift (ft)	Pull to Lift Load* (lbs)	a (in)	b (in)	D (in)	e (in)	f (in)	g (in)	Load Chain Dia. (mm) x Chain Fall Lines	Net Weight (lbs)	Shipping Weight Approx. (lbs)	Weight for Add'l One Foot of Lift (lbs)
3/4	LB008	11.0	5	58	6.0	4.8	10.4*	4.0	1.4	0.9	5.6 x 1	14	14	0.4
1 1/2	LB015	13.8		58	6.7	5.6	16.3	4.3	1.8	1.3	7.1 x 1	21	22	0.8
3	LB030	16.5		70	7.7	7.0	16.3	4.5	2.0	1.6	9.0 x 1	34	36	1.2
6	LB060	22.4		72		8.7			2.4	2.0	9.0 x 2	60	62	2.4
9	LB090	27.8		74		11.1			3.9	2.9	9.0 x 3	93	97	3.6

*For LB008 and LB010 equipment with load limit warning handle, D = 14.2 inches.
Green shading reflects rental inventory.

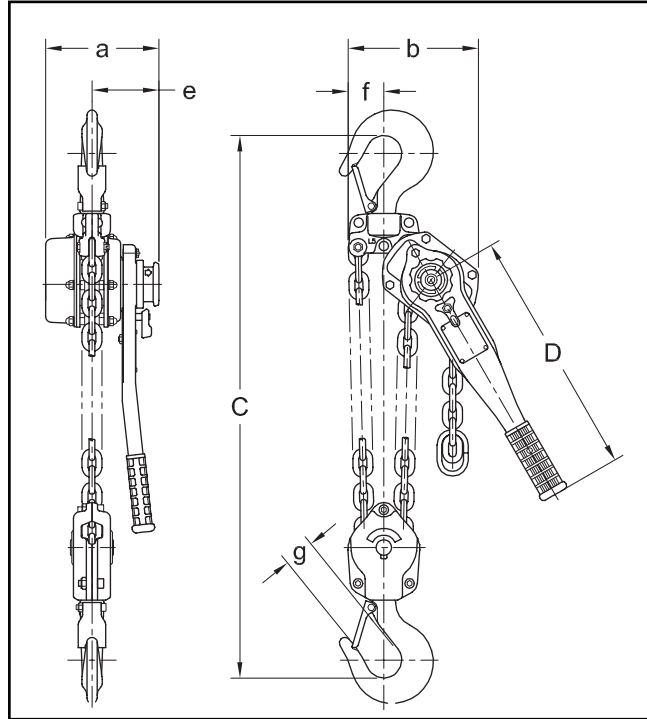


Sales@lgh-usa.com | Hoisting

Come-A-Longs

Model L5 - 3/4 – 9 Ton LB Lever Hoist Specifications

LB060



LB015



(Shown with standard handle.)

Dimensions & Specifications

Cap. (Tons)	Model	Headroom C	Std. Lift (ft)	Pull to Lift Load* (lbs)	a (in)	b (in)	D* (in)	e (in)	f (in)	g (in)	Load Chain Dia. (mm) x Chain Fall Lines	Net Weight (lbs)	Shipping Weight Approx. (lbs)	Weight for Add'l One Foot of Lift (lbs)		
3/4	LB008	11.0	5	54 (36)	5.7	4.7	9.6 (14.4)	3.8	1.6	0.9	5.6 x 1	13	13	0.5		
1	LB010	11.8		72 (46)						1.1						
1 1/2	LB015	13.2		64 (45)	6.3	5.0		10.4 (14.4)	3.9	1.5	1.3	7.1 x 1	18		18	
2	LB020	14.8		59 (42)	6.8	5.9	4.0		1.8	1.4	8.8 x 1					25
2 1/4	LB028			81 (57)												
3	LB030	15.6		69	7.5	6.3	16.3 (16.9)	4.4	2.3	2.0	10.0 x 1	33	35		1.5	
6	LB060	21.3		72												8.5
9	LB090	26.8		78												12.0

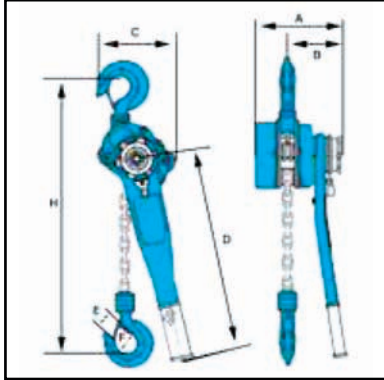
*Figures in parentheses are for hoists with the optional load limit warning handle.
Green shading reflects rental inventory.



Come-A-Longs

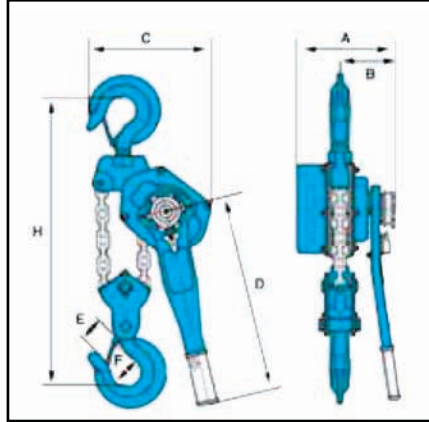
¼ – 6 Ton Bravo Lever Hoist Specifications

0.25 t to 3 t



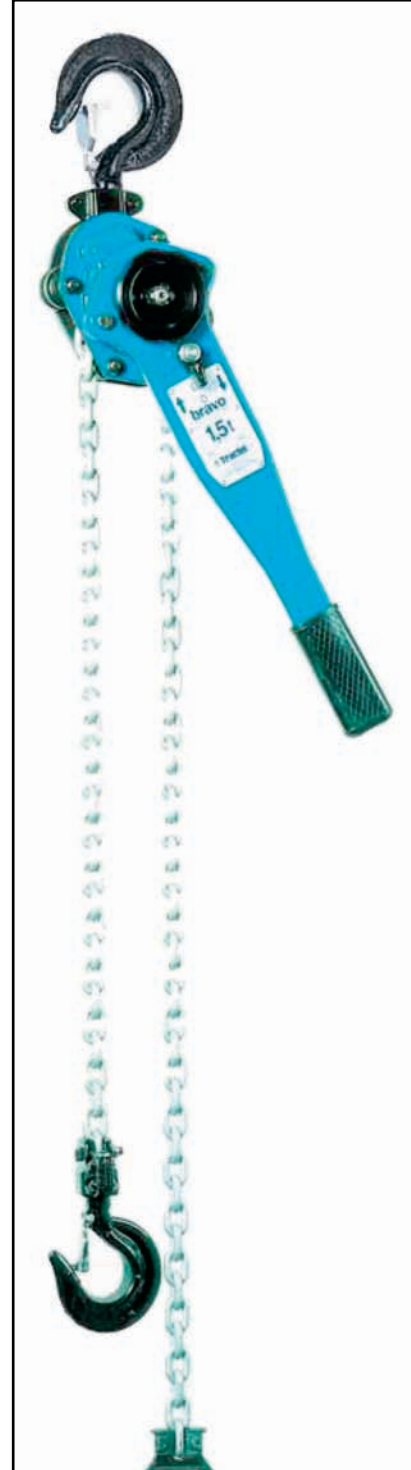
(500 to 6,000 lbs)

6 t



(12,000 lbs)

Bravo 1.5 t



Specifications

Model	Unit	0.25 T	0.5 T	0.75 T	1 T	1.5 T	3 T	6 T	
Capacity	lbs. (kg)	500 (250)	1,000 (500)	1,500 (750)	2,000 (1,000)	3,000 (1,500)	6,000 (3,000)	12,000 (3,000)	
Standard Lift	ft. (m)	5 (1.5)	5 (1.5)	5 (1.5)	5 (1.5)	5 (1.5)	5 (1.5)	5 (1.5)	
Number of Falls		1	1	1	1	1	2	2	
Effort on Lever at Capacity	lbs. (kg)	57 (26)	79 (36)	44 (20)	57 (26)	46 (21)	75 (34)	75 (34)	
Load Chain Size	mm	4 x 12	5 x 15	6 x 18	6 x 18	7 x 21	10 x 30	10 x 30	
Dimensions	A	in. (mm)	3.6 (91)	4.3 (110)	5.5 (139)	5.5 (139)	6.9 (174)	7.9 (200)	7.9 (200)
	B	in. (mm)	2.8 (70)	3.1 (80)	3.3 (84)	3.3 (84)	4.35 (108)	4.5 (115)	4.5 (115)
	C	in. (mm)	2.8 (71)	4.8 (122)	6 (153)	6 (153)	6.3 (160)	7.3 (185)	9.1 (230)
	D	in. (mm)	6.2 (157)	9 (228)	11.3 (288)	11.3 (288)	16.5 (418)	16.5 (418)	16.5 (418)
	E	in. (mm)	0.8 (21)	0.9 (23)	1 (26)	1 (26)	1.2 (31)	1.5 (39)	1.8 (45)
	F	in. (mm)	1.1 (28)	1.4 (35)	1.5 (37)	1.5 (37)	1.8 (45)	2.2 (55)	2.6 (65)
	H min.	in. (mm)	9.2 (233)	12 (305)	11.9 (303)	11.9 (303)	14.6 (370)	19.7 (500)	24.8 (630)
Weight	lbs. (kg)	4 (2)	11 (5)	15 (7)	15 (7)	24 (11)	44 (20)	66 (30)	

