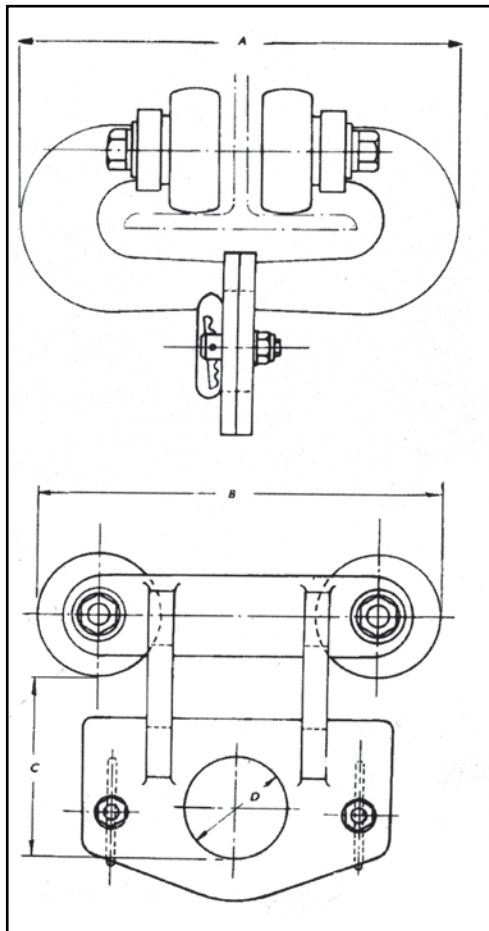


Beam Trolleys

1 - 5 Ton Saflok Specifications (Top) / 1 - 6 Ton Riggers Specifications (Bottom)



Saflok

Technical Information – Suitable for Beam Flange

| Model | S.W.L. (lb/ tons) | Weight (lbs) | Width (in) Min-Max | A (in) | B (in) | C (in) | D (in) |
|-------|-------------------|--------------|--------------------|--------|--------|--------|--------|
| T20 | 1 ton | 13 | 3 - 6 | 10.64 | 7.99 | 3.86 | 1.50 |
| T20W | 1 ton | 14 | 4 - 8 | 13.51 | 7.99 | 3.86 | 1.50 |
| T60 | 3 ton | 26 | 3 - 6 | 11.27 | 10.24 | 4.77 | 2.63 |
| T60W | 3 ton | 32 | 4 - 8 | 13.00 | 10.24 | 4.77 | 2.63 |
| T100 | 5 ton | 68 | 4 - 10 | 17.77 | 12.25 | 6.38 | 3.55 |

Green shading reflects rental inventory.



Riggers

Technical Information – Suitable for Beam Flange

| Model | S.W.L. (lb/ tons) | Weight (lbs) | Width (in) Min-Max | A (in) | B (in) | C (in) | D (in) |
|-------|-------------------|--------------|--------------------|---------------------------------|--------------------------------|-------------------------------|-------------------------------|
| R1T | 1 ton | 18 | 3 - 8 | 13 ⁷ / ₁₆ | 8 | 3 ¹ / ₂ | 1 ¹ / ₂ |
| R3T | 3 ton | 30 | 3 - 8 | 13 | 10 ¹ / ₂ | 4 ⁵ / ₈ | 2 ¹ / ₂ |
| R6T | 6 ton | 55 | 4 - 10 | 17 ⁷ / ₁₆ | 12 | 6 | 3 ¹ / ₂ |

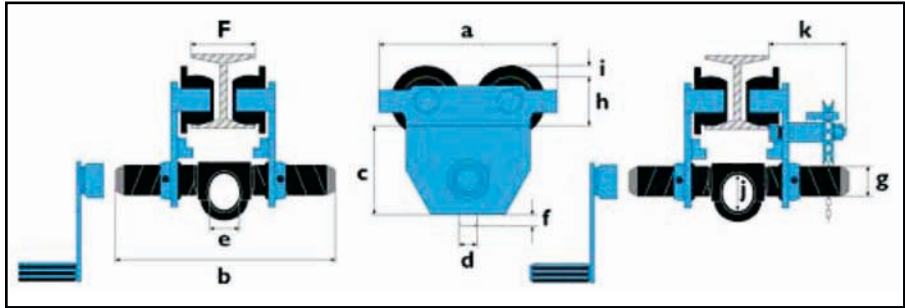
Green shading reflects rental inventory.



Beam Trolleys

1/2 – 5 Corso Ton Specifications

Push Trolley



.5 t – 5 t

| Specifications | | | | | | | | | | | | | | | | |
|----------------|-------------------------|---------------------------|-----------------|-----------------------------|---------------|---------------|-------------|-------------|-------------|-------------|--------------|-------------|-------------|--------------|---------------|--------------|
| WLL | Beam Width (standard) | Beam Width (special) | Radius of Curve | Effort on Chain at Capacity | Dimensions | | | | | | | | | | Weight | |
| | | | | | a | b | d | e | f | g | øh | i | j | k | push | gear |
| Units | In. (mm) | In. (mm) | ft. (m) | — lbs. | In. (mm) | In. (mm) | In. (mm) | In. (mm) | In. (mm) | In. (mm) | In. (mm) | In. (mm) | In. (mm) | In. (mm) | lbs. (kg) | lbs. (kg) |
| 0.5 t | 2 - 8.7 (50 - 220) | 8.7 - 11.8 (220 - 330) | 3 (0.9) | — 12 | 8.9 (225) | 12.8 (324) | 0.6 (16) | 1 (25) | 0.6 (16) | 1.1 (27) | 2.1 (53) | 0.4 (11) | 1.2 (30) | — | 18.7 (8.5) | — |
| 1 t | 2.3 - 8.7 (58 - 220) | 8.7 - 11.8 (220 - 330) | 3.3 (1) | — 22 | 9.9 (252) | 13.2 (334) | 0.7 (17) | 1.2 (30) | 0.7 (18) | 1.2 (30) | 2.4 (62) | 0.6 (15) | 1.4 (35) | 3.9 (100) | 22 (10) | 42 (19) |
| 2 t | 3 - 8.7 (66 - 220) | 8.7 - 11.8 (220 - 330) | 3.9 (1.2) | — 22 | 11.8 (300) | 13.5 (342) | 0.8 (21) | 1.6 (40) | 0.7 (18) | 1.5 (38) | 3.2 (80) | 0.7 (18) | 1.8 (45) | 4.7 (120) | 40 (18) | 50 (22.5) |
| 3 t | 2.9 - 8.7 (74 - 220) | 8.7 - 11.8 (220 - 330) | 4.2 (1.3) | — 16.5 | 14.2 (360) | 14.1 (358) | 0.8 (21) | 1.9 (48) | 0.7 (18) | 1.8 (45) | 3.8 (97) | 0.6 (15) | 2.2 (55) | 5.3 (135) | 71 (32) | 83 (37.5) |
| 5 t | 3.5 - 8.7 (90 - 220) | 8.7 - 11.8 (220 - 330) | 4.6 (1.4) | — 26.5 | 15.8 (400) | 14.7 (372) | 1.2 (31) | 2.5 (58) | 0.8 (20) | 2.1 (52) | 4.3 (110) | 0.8 (20) | 2.6 (65) | 5.7 (145) | 107 (48.5) | 121 (55) |

Green shading reflects rental inventory.



Beam Trolleys

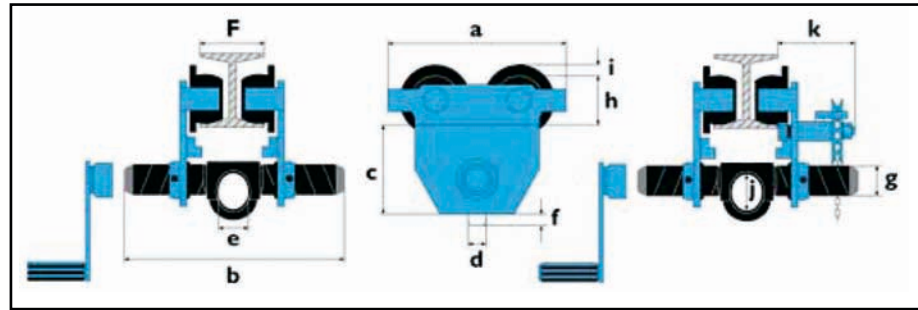
10 – 20 Corso Ton Specifications



Geared Trolley



10 t – 20 t



Corso® Push Beam Trolley, 10t* – Specifications

| | Model | Beam Width F (standard) | Beam Width F (special) | Chain Curve Radius | Effort on Chain at Capacity | Lost Height c | Dimensions | | | | | | | | | | Weight |
|-------|-------|-------------------------------|------------------------------|--------------------------|-----------------------------------|---------------------|-------------|-------------|-------------|-------------|-------------|-------------|-------------|-------------|-------------|--------------|--------------|
| | | | | | | | a | b | d | e | f | g | øh | i | j | k | |
| Units | | In. (mm) | In. (mm) | ft. (m) | lbs. kg | In. (mm) | In. (mm) | In. (mm) | In. (mm) | In. (mm) | In. (mm) | In. (mm) | In. (mm) | In. (mm) | In. (mm) | lbs. (kg) | |
| 10 t | 23390 | 4.9 - 8 125 - 203 | 8.7 - 11.8 220 - 300 | 8.2 2.5 | — — | 10.9 276 | 18.5 470 | 15.9 405 | 1 25 | 3.2 80 | 2 50 | 2.5 63 | 5.9 150 | 7.5 190 | 4.5 115 | — — | 220.4 100 |

*In the United States, Corso® models with spacer adjustment are also available in capacities from 0.5 to 5t.
Green shading reflects rental inventory.

Corso® Gear Beam Trolley, 10t and 20t* – Specifications

| | Model | Beam Width F (standard) | Beam Width F (special) | Chain Curve Radius | Effort on Chain at Capacity | Lost Height c | Dimensions | | | | | | | | | | Weight |
|-------|-------|-------------------------------|------------------------------|--------------------------|-----------------------------------|---------------------|-------------|-------------|-------------|-------------|-------------|-------------|-------------|-------------|-------------|--------------|--------------|
| | | | | | | | a | b | d | e | f | g | øh | i | j | k | |
| Units | | In. (mm) | In. (mm) | ft. (m) | lbs. kg | In. (mm) | In. (mm) | In. (mm) | In. (mm) | In. (mm) | In. (mm) | In. (mm) | In. (mm) | In. (mm) | In. (mm) | lbs. (kg) | |
| 10 t | 23391 | 4.9 - 8 125 - 203 | 8.7 - 11.8 220 - 300 | 8.2 2.5 | 75 34 | 10.9 276 | 18.5 470 | 15.9 405 | 1 25 | 3.2 80 | 2 50 | 2.5 63 | 5.9 150 | 7.5 190 | 4.5 115 | 6.7 170 | 220.4 100 |
| 20 t | 23392 | 5.4 - 8 136 - 203 | 8.7 - 11.8 220 - 300 | 16.4 5 | 150 68 | 10.9 276 | 37.6 955 | 15.9 405 | 1.4 36 | 4.3 110 | 2 50 | 2.5 63 | 5.9 150 | 7.5 190 | 5.9 150 | 6.7 170 | 463 210 |

*In the United States, Corso® models with spacer adjustment are also available in capacities from 0.5 to 5t.
Green shading reflects rental inventory.

Sales@lgh-usa.com | Hoisting

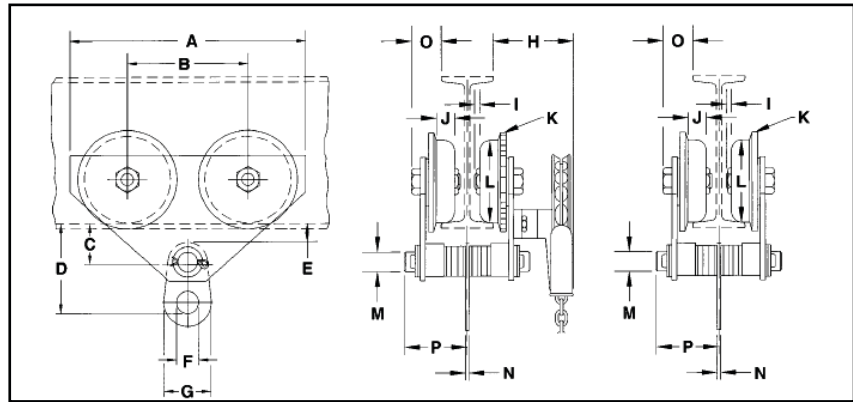


Beam Trolleys

5 - 40 Ton FLP/FTP/FLG/FTG Specifications & Dimensions



Beam Trolley



5 t – 40 t

| Specifications | | | | | | | | | | | | | | | | | | | | |
|----------------|------------------|---------------------------------|--------------------------------|----------------------------------|--------------------------------|--------------------------------|--------------------------------|-------------------------------|----------------------------------|--------------------------------|--------------------------------|----------------------------------|-------------------------------|--------------------------------|--------|----------------------------------|-------------------------------|-------------------------------|--------|--------|
| FTP & FTG | Capacity in Tons | A† (in) | B† (in) | B*† (in) | C (in) | D (in) | D* (in) | E† (in) | F† (in) | G† (in) | J† (in) | K (in) | L (in) | M† (in) | N (in) | O (in) | P (in) | R (in) | T (in) | Y (in) |
| | 5 | 9 | 4 ⁷ / ₈ | 10 | 16 ³ / ₄ | 6 | 7 ⁷ / ₈ | 1 ¹ / ₄ | 1 | ⁵ / ₈ | ⁵ / ₈ | 9 | 2 ³ / ₄ | 3 ³ / ₈ | 18 | 12 ¹ / ₄ | 2 | ⁷ / ₈ | 5 | 7 |
| | 6 | 9 | 4 ⁷ / ₈ | 10 | 16 ³ / ₄ | 6 | 7 ⁷ / ₈ | 1 ¹ / ₄ | 1 | ⁵ / ₈ | ⁵ / ₈ | 9 | 2 ³ / ₄ | 3 ³ / ₈ | 18 | 12 ¹ / ₄ | 2 | ⁷ / ₈ | 5 | 7 |
| | 8 | 10 ⁵ / ₈ | 5 ⁷ / ₈ | 10 ³ / ₄ | 21 ¹ / ₂ | 8 | 9 ⁷ / ₈ | 1 ¹ / ₄ | ³ / ₄ | ⁵ / ₈ | ⁹ / ₁₆ | 11 ⁵ / ₁₆ | 3 ³ / ₈ | 4 ¹ / ₁₆ | 18 | 13 ¹³ / ₁₆ | 2 ¹ / ₄ | ⁷ / ₈ | 7 | 7 |
| | 10 | 11 ⁷ / ₁₆ | 5 ⁷ / ₈ | 10 ³ / ₄ | 21 ¹ / ₂ | 8 | 9 ⁷ / ₈ | 1 ¹ / ₄ | ³ / ₄ | ⁵ / ₈ | ⁹ / ₁₆ | 11 ⁵ / ₁₆ | 4 ¹ / ₄ | 4 ¹ / ₁₆ | 18 | 13 ¹³ / ₁₆ | 2 ¹ / ₂ | ⁷ / ₈ | 7 | 7 |
| | 20 | 17 ⁷ / ₈ | 7 ⁷ / ₁₆ | 11 ¹¹ / ₁₆ | 26 ³ / ₄ | 12 ³ / ₈ | 7 ⁷ / ₁₆ | 1 ¹ / ₈ | 6 ³ / ₁₆ | ⁷ / ₈ | ⁷ / ₈ | 13 ⁴³ / ₆₄ | 5 ¹ / ₂ | 5 ⁵ / ₈ | 18 | 15 ¹ / ₂ | 3 ³ / ₈ | 1 ¹ / ₄ | 10 | 7 |
| | 40* | 21 ¹ / ₈ | 7 ⁷ / ₁₆ | 11 ¹¹ / ₁₆ | 56 ³ / ₄ | 10 | 12 ³ / ₈ | 1 ¹ / ₈ | 11 ¹⁵ / ₁₆ | 1 ¹ / ₁₆ | 1 ¹ / ₁₆ | 30 | 8 | 3 | 18 | 15 ¹ / ₂ | 3 ³ / ₈ | 2 | 15 | 7 |

*25, 30 and 40 ton models are eight wheel trolleys. See your Yale representative for specifics or consult the factory. Green shading reflects rental inventory.

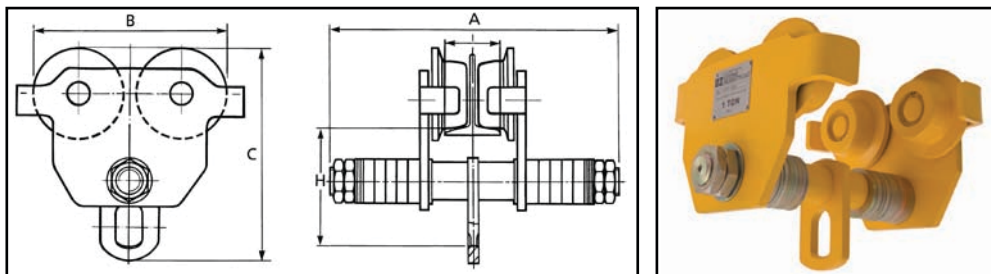
| Dimensions | | | | | | | | | | | | | | | | | | | |
|------------|-----------|-----------|-----------|---------------------|------------------------------------|------|---|-------------------|--|--------|--|---|-------------------|-------|---|-------|---|-------|--------|
| FTP & FTG | Cap. | Model | | Adjust. for I-beams | Standard Trolley Flange Adjustment | | Max. Allowable Flange Adjustment (Special)* | Min. Radius Curve | Push to Move Capacity Load Along Beam (lbs.) | | Pull Hand Chain to Move Capacity Load (lbs.) | Standard Reach of Chain from Beam (in.) | Net Weight (lbs.) | | Export Approximate Shipping Weight (lbs.) | | Export Approximate Box Size (Cubic ft.) | | |
| | | Plain | Geared | | Min. | Max. | | | Plain | Geared | | | Geared | Plain | Geared | Plain | Geared | Plain | Geared |
| | | 5 | 842-13002 | | 842-13005 | 8-24 | | | 4.00 | 7.00 | | | 9 | 5'0" | 57 | 28 | 7 | 140 | 180 |
| 6 | 842-14002 | 842-14005 | 8-24 | 4.00 | 7.00 | 9 | 5'0" | 80 | 33 | 7 | 140 | 180 | 170 | 214 | 2.35 | 3.19 | | | |
| 8 | 842-16002 | 842-16005 | 10-24 | 4.66 | 7.00 | 11 | 6'0" | 85 | 30 | 7 | 255 | 295 | 293 | 340 | 4.01 | 5.11 | | | |
| 10 | 842-17002 | 842-17005 | 10-24 | 4.66 | 7.00 | 11 | 6'0" | 100 | 37 | 7 | 275 | 310 | 312 | 355 | 4.01 | 5.11 | | | |
| 20 | 842-20002 | 842-20005 | 18-24 | 6.00 | 8.00 | 13 | 8'0" | 158 | 72 | 7 | 810 | 850 | 870 | 920 | 6.05 | 7.70 | | | |
| 40 | 842-23402 | 842-23505 | 24 | 7.00 | 8.00 | 13 | • | 328 | 145 | 7 | 2,060 | 2,100 | 2,210 | 2,250 | 14.91 | 15.77 | | | |

NOTE: All dimensions in inches unless otherwise indicated.
 † Dimensions shown are for minimum I-beam size and will vary proportionately for larger beams.
 Green shading reflects rental inventory.

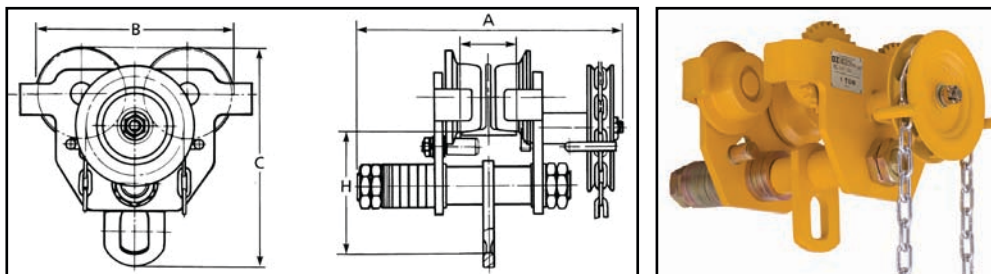


Beam Trolleys

1/2 - 10 Ton Push & Geared Beam Trolley



| Specifications | | | | | | |
|------------------------------|-----------|-------------|-------------|-------------|-------------|-------------|
| Model | OZ05PBT | OZ1PBT | OZ2PBT | OZ3PBT | OZ5PBT | OZ10PBT |
| Safe Working Load (lbs) | 1,000 | 2,000 | 4,000 | 6,000 | 10,000 | 20,000 |
| Adjustable Flange Width (in) | 2.52-5.90 | 2.52 - 7.99 | 3.46 - 7.99 | 4.00 - 7.99 | 4.49 - 7.99 | 4.92 - 7.99 |
| Dimensional Information (in) | A | 10.00 | 12.52 | 13.19 | 14.05 | 15.94 |
| | B | 8.50 | 10.24 | 11.81 | 13.58 | 17.91 |
| | C | 7.67 | 9.41 | 11.26 | 13.23 | 19.68 |
| | H | 4.33 | 5.31 | 6.34 | 7.28 | 11.02 |
| Minimum Radius Curve (ft) | 2.95 | 3.28 | 3.60 | 4.26 | 4.59 | 5.57 |
| Net Weight (lbs) | 20 | 32 | 50 | 82 | 123 | 215 |



| Specifications | | | | | |
|------------------------------|-------------|-------------|-------------|-------------|-------------|
| Model | OZ1GBT | OZ2GBT | OZ3GBT | OZ5GBT | OZ10GBT |
| Safe Working Load (lbs) | 2,000 | 4,000 | 6,000 | 10,000 | 20,000 |
| Adjustable Flange Width (in) | 2.52 - 7.99 | 3.46 - 7.99 | 4.01 - 7.99 | 4.49 - 7.99 | 4.92 - 7.99 |
| Dimensional Information (in) | A | 12.52 | 13.19 | 14.05 | 15.94 |
| | B | 10.24 | 11.81 | 13.58 | 17.91 |
| | C | 9.41 | 11.26 | 13.23 | 15.47 |
| | H | 5.31 | 6.34 | 7.28 | 11.02 |
| Minimum Radius Curve (ft) | 3.28 | 3.60 | 4.26 | 4.59 | 5.57 |
| Net Weight (lbs) | 44 | 62 | 95 | 136 | 234 |

Green shading reflects rental inventory.



Sales@lgh-usa.com | Hoisting

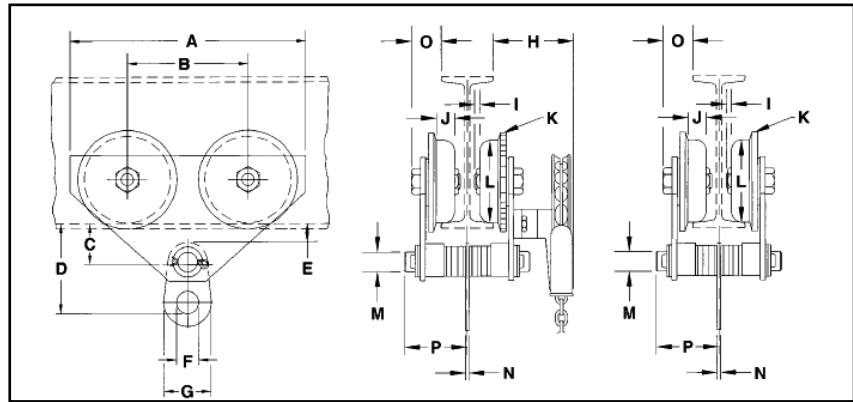


Beam Trolleys

5 - 40 Ton FLP/FTP/FLG/FTG Specifications & Dimensions



Beam Trolley



5 t – 40 t

| Specifications | | | | | | | | | | | | | | | | | | | | |
|----------------|------------------|---------------------------------|--------------------------------|----------------------------------|--------------------------------|--------------------------------|--------------------------------|-------------------------------|----------------------------------|--------------------------------|--------------------------------|----------------------------------|-------------------------------|--------------------------------|--------|----------------------------------|-------------------------------|-------------------------------|--------|--------|
| FTP & FTG | Capacity in Tons | A† (in) | B† (in) | B*† (in) | C (in) | D (in) | D* (in) | E† (in) | F† (in) | G† (in) | J† (in) | K (in) | L (in) | M† (in) | N (in) | O (in) | P (in) | R (in) | T (in) | Y (in) |
| | 5 | 9 | 4 ⁷ / ₈ | 10 | 16 ³ / ₄ | 6 | 7 ⁷ / ₈ | 1 ¹ / ₄ | 1 | ⁵ / ₈ | ⁵ / ₈ | 9 | 2 ³ / ₄ | 3 ³ / ₈ | 18 | 12 ¹ / ₄ | 2 | ⁷ / ₈ | 5 | 7 |
| | 6 | 9 | 4 ⁷ / ₈ | 10 | 16 ³ / ₄ | 6 | 7 ⁷ / ₈ | 1 ¹ / ₄ | 1 | ⁵ / ₈ | ⁵ / ₈ | 9 | 2 ³ / ₄ | 3 ³ / ₈ | 18 | 12 ¹ / ₄ | 2 | ⁷ / ₈ | 5 | 7 |
| | 8 | 10 ⁵ / ₈ | 5 ⁷ / ₈ | 10 ³ / ₄ | 21 ¹ / ₂ | 8 | 9 ⁷ / ₈ | 1 ¹ / ₄ | ³ / ₄ | ⁵ / ₈ | ⁹ / ₁₆ | 11 ⁵ / ₁₆ | 3 ³ / ₈ | 4 ¹ / ₁₆ | 18 | 13 ¹³ / ₁₆ | 2 ¹ / ₄ | ⁷ / ₈ | 7 | 7 |
| | 10 | 11 ⁷ / ₁₆ | 5 ⁷ / ₈ | 10 ³ / ₄ | 21 ¹ / ₂ | 8 | 9 ⁷ / ₈ | 1 ¹ / ₄ | ³ / ₄ | ⁵ / ₈ | ⁹ / ₁₆ | 11 ⁵ / ₁₆ | 4 ¹ / ₄ | 4 ¹ / ₁₆ | 18 | 13 ¹³ / ₁₆ | 2 ¹ / ₂ | ⁷ / ₈ | 7 | 7 |
| | 20 | 17 ⁷ / ₈ | 7 ⁷ / ₁₆ | 11 ¹¹ / ₁₆ | 26 ³ / ₄ | 12 ³ / ₈ | 7 ⁷ / ₁₆ | 1 ¹ / ₈ | 6 ³ / ₁₆ | ⁷ / ₈ | ⁷ / ₈ | 13 ⁴³ / ₆₄ | 5 ¹ / ₂ | 5 ⁵ / ₈ | 18 | 15 ¹ / ₂ | 3 ³ / ₈ | 1 ¹ / ₄ | 10 | 7 |
| | 40* | 21 ¹ / ₈ | 7 ⁷ / ₁₆ | 11 ¹¹ / ₁₆ | 56 ³ / ₄ | 10 | 12 ³ / ₈ | 1 ¹ / ₈ | 11 ¹⁵ / ₁₆ | 1 ¹ / ₁₆ | 1 ¹ / ₁₆ | 30 | 8 | 3 | 18 | 15 ¹ / ₂ | 3 ³ / ₈ | 2 | 15 | 7 |

*25, 30 and 40 ton models are eight wheel trolleys. See your Yale representative for specifics or consult the factory. Green shading reflects rental inventory.

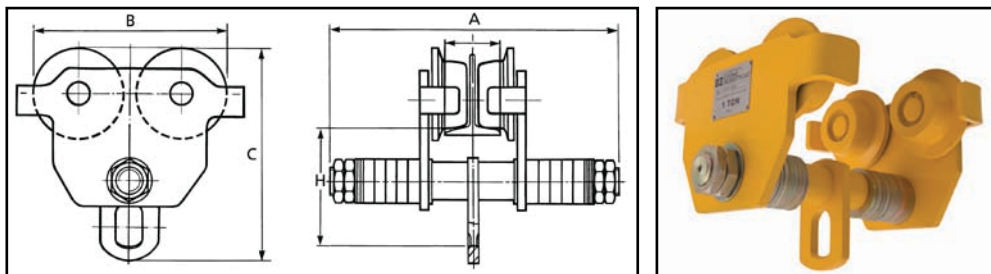
| Dimensions | | | | | | | | | | | | | | | | | | |
|------------|-----------|-----------|-----------|---------------------|------------------------------------|------|---|-------------------|--|--------|---|-------------------|-------|---|-------|---|-------|--------|
| FTP & FTG | Cap. | Model | | Adjust. for I-beams | Standard Trolley Flange Adjustment | | Max. Allowable Flange Adjustment (Special)* | Min. Radius Curve | Push to Move Capacity Load Along Beam (lbs.) | | Standard Reach of Chain from Beam (in.) | Net Weight (lbs.) | | Export Approximate Shipping Weight (lbs.) | | Export Approximate Box Size (Cubic ft.) | | |
| | | Plain | Geared | | Min. | Max. | | | Plain | Geared | | Geared | Plain | Geared | Plain | Geared | Plain | Geared |
| | | 5 | 842-13002 | | 842-13005 | 8-24 | | | 4.00 | 7.00 | | 9 | 5'0" | 57 | 28 | 7 | 140 | 180 |
| 6 | 842-14002 | 842-14005 | 8-24 | 4.00 | 7.00 | 9 | 5'0" | 80 | 33 | 7 | 140 | 180 | 170 | 214 | 2.35 | 3.19 | | |
| 8 | 842-16002 | 842-16005 | 10-24 | 4.66 | 7.00 | 11 | 6'0" | 85 | 30 | 7 | 255 | 295 | 293 | 340 | 4.01 | 5.11 | | |
| 10 | 842-17002 | 842-17005 | 10-24 | 4.66 | 7.00 | 11 | 6'0" | 100 | 37 | 7 | 275 | 310 | 312 | 355 | 4.01 | 5.11 | | |
| 20 | 842-20002 | 842-20005 | 18-24 | 6.00 | 8.00 | 13 | 8'0" | 158 | 72 | 7 | 810 | 850 | 870 | 920 | 6.05 | 7.70 | | |
| 40 | 842-23402 | 842-23505 | 24 | 7.00 | 8.00 | 13 | • | 328 | 145 | 7 | 2,060 | 2,100 | 2,210 | 2,250 | 14.91 | 15.77 | | |

NOTE: All dimensions in inches unless otherwise indicated.
 † Dimensions shown are for minimum I-beam size and will vary proportionately for larger beams.
 Green shading reflects rental inventory.

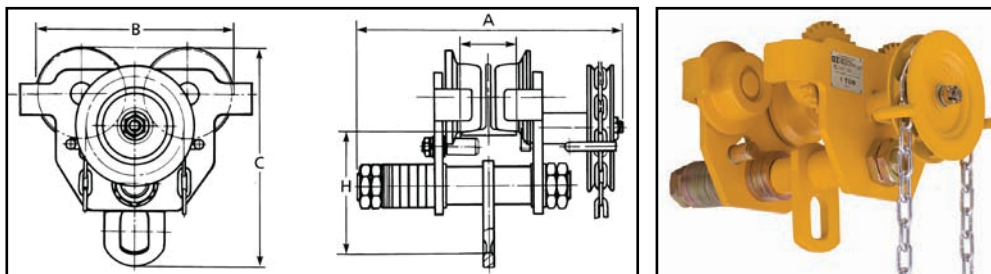


Beam Trolleys

1/2 - 10 Ton Push & Geared Beam Trolley



| Specifications | | | | | | |
|------------------------------|-----------|-------------|-------------|-------------|-------------|-------------|
| Model | OZ05PBT | OZ1PBT | OZ2PBT | OZ3PBT | OZ5PBT | OZ10PBT |
| Safe Working Load (lbs) | 1,000 | 2,000 | 4,000 | 6,000 | 10,000 | 20,000 |
| Adjustable Flange Width (in) | 2.52-5.90 | 2.52 - 7.99 | 3.46 - 7.99 | 4.00 - 7.99 | 4.49 - 7.99 | 4.92 - 7.99 |
| Dimensional Information (in) | A | 10.00 | 12.52 | 13.19 | 14.05 | 15.94 |
| | B | 8.50 | 10.24 | 11.81 | 13.58 | 17.91 |
| | C | 7.67 | 9.41 | 11.26 | 13.23 | 15.47 |
| | H | 4.33 | 5.31 | 6.34 | 7.28 | 8.66 |
| Minimum Radius Curve (ft) | 2.95 | 3.28 | 3.60 | 4.26 | 4.59 | 5.57 |
| Net Weight (lbs) | 20 | 32 | 50 | 82 | 123 | 215 |



| Specifications | | | | | |
|------------------------------|-------------|-------------|-------------|-------------|-------------|
| Model | OZ1GBT | OZ2GBT | OZ3GBT | OZ5GBT | OZ10GBT |
| Safe Working Load (lbs) | 2,000 | 4,000 | 6,000 | 10,000 | 20,000 |
| Adjustable Flange Width (in) | 2.52 - 7.99 | 3.46 - 7.99 | 4.01 - 7.99 | 4.49 - 7.99 | 4.92 - 7.99 |
| Dimensional Information (in) | A | 12.52 | 13.19 | 14.05 | 15.94 |
| | B | 10.24 | 11.81 | 13.58 | 17.91 |
| | C | 9.41 | 11.26 | 13.23 | 15.47 |
| | H | 5.31 | 6.34 | 7.28 | 8.66 |
| Minimum Radius Curve (ft) | 3.28 | 3.60 | 4.26 | 4.59 | 5.57 |
| Net Weight (lbs) | 44 | 62 | 95 | 136 | 234 |

Green shading reflects rental inventory.



Sales@lgh-usa.com | Hoisting

