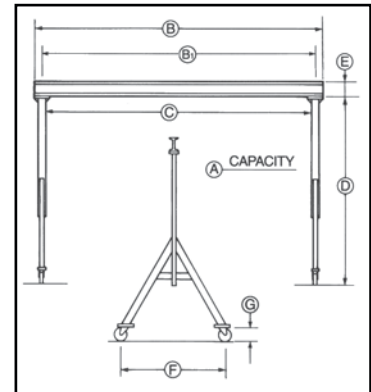


Aluminum Gantries

1/2 - 3 ton Specifications – A Series

A Series – Aluminum Adjustable Height/Span										
A Cap.	B Overall Span	B1 Span Between Wheel Centers	C Clear Span	D Height		E I-Beam Depth	F Tread	G Caster Dia.	With I-Beam	
				Max	Min				Weight	Model
1/2 Ton	8'	7'-3"	6'-11 ¹ / ₁₆ "	9'-0"	6'-6"	5"	4'-2"	6"	116	0.5ALU089B
		7'-3"	6'-11 ¹ / ₁₆ "	11'-0"***	8'-6"***	5"	4'-2"	6"	135	0.5ALU0811B
	10'	9'-3"	8'-11 ¹ / ₁₆ "	9'-0"	6'-6"	6"	4'-2"	6"	131	0.5ALU109B
		9'-3"	8'-11 ¹ / ₁₆ "	11'-0"***	8'-6"***	6"	4'-2"	6"	150	0.5ALU1011B
12'	11'-3"	10'-11 ¹ / ₁₆ "	9'-0"	6'-6"	8"	4'-2"	6"	164	0.5ALU129B	
	11'-3"	10'-11 ¹ / ₁₆ "	11'-0"***	8'-6"***	8"	4'-2"	6"	183	0.5ALU1211B	
15'	14'-3"	13'-11 ¹ / ₁₆ "	9'-0"	6'-6"	8"	4'-2"	6"	192	0.5ALU159B	
	14'-3"	13'-11 ¹ / ₁₆ "	11'-0"***	8'-6"***	8"	4'-2"	6"	211	0.5ALU1511B	
1 Ton	8'	7'-3"	6'-11"	8'-2"	5'-8"	6"	4'-6"	6"	150	1ALU0808B
		7'-3"	6'-11"	10'-2"	7'-8"	6"	4'-6"	6"	157	1ALU0808B
		7'-3"	6'-11"	12'-2"***	9'-8"***	6"	4'-6"	6"	197	1ALU0808B
	10'	9'-3"	8'-11"	8'-2"	5'-8"	8"	4'-6"	6"	180	1ALU1008B
		9'-3"	8'-11"	10'-2"	7'-8"	8"	4'-6"	6"	187	1ALU1010B
		9'-3"	8'-11"	12'-2"***	9'-8"***	8"	4'-6"	6"	227	1ALU1012B
	12'	11'-3"	10'-11"	8'-2"	5'-8"	8"	4'-6"	6"	192	1ALU1208B
		11'-3"	10'-11"	10'-2"	7'-8"	8"	4'-6"	6"	199	1ALU1210B
		11'-3"	10'-11"	12'-2"***	9'-8"***	8"	4'-6"	6"	239	1ALU1212B
	15'	14'-3"	13'-11"	8'-2"	5'-8"	10"	4'-6"	6"	248	1ALU1508B
		14'-3"	13'-11"	10'-2"	7'-8"	10"	4'-6"	6"	255	1ALU1510B
		14'-3"	13'-11"	12'-2"***	9'-8"***	10"	4'-6"	6"	295	1ALU1512B
18'	17'-3"	16'-11"	8'-2"	5'-8"	12"	4'-4"	6"	389	1ALU1808B	
	17'-3"	16'-11"	10'-2"	7'-8"	12"	4'-4"	6"	401	1ALU1810B	
	17'-3"	16'-11"	12'-2"***	9'-8"***	12"	4'-4"	6"	439	1ALU1812B	
20'	19'-3"	18'-11"	8'-2"	5'-8"	12"	4'-4"	6"	423	1ALU2008B	
	19'-3"	18'-11"	10'-2"	7'-8"	12"	4'-4"	6"	435	1ALU2010B	
	19'-3"	18'-11"	12'-2"***	9'-8"***	12"	4'-4"	6"	473	1ALU2012B	
2 Ton	8'	7'-3"	6'-11"	8'-2"	5'-8"	8"	4'-4"	6"	237	2ALU0808B-N
		7'-3"	6'-11"	10'-2"	7'-8"	8"	4'-4"	6"	246	2ALU0808B-N
		7'-3"	6'-11"	12'-2"***	9'-8"***	8"	4'-4"	6"	276	2ALU0808B-N
	10'	9'-3"	8'-11"	8'-2"	5'-8"	10"	4'-4"	6"	274	2ALU1008B-N
		9'-3"	8'-11"	10'-2"	7'-8"	10"	4'-4"	6"	286	2ALU1010B-N
		9'-3"	8'-11"	12'-2"***	9'-8"***	10"	4'-4"	6"	313	2ALU1012B-N
	12'	11'-3"	10'-11"	8'-2"	5'-8"	12"	4'-4"	6"	322	2ALU1208B-N
		11'-3"	10'-11"	10'-2"	7'-8"	12"	4'-4"	6"	334	2ALU1210B-N
		11'-3"	10'-11"	12'-2"***	9'-8"***	12"	4'-4"	6"	361	2ALU1212B-N
15'	14'-3"	13'-11"	8'-2"	5'-8"	12"	4'-4"	6"	355	2ALU1508B-N	
	14'-3"	13'-11"	10'-2"	7'-8"	12"	4'-4"	6"	367	2ALU1510B-N	
	14'-3"	13'-11"	12'-2"***	9'-8"***	12"	4'-4"	6"	394	2ALU1512B-N	
3 Ton	8'	7'-2"	6'-8 ¹ / ₂ "	8'-2"	6'-2"	12"	4'-8"	8"	350	3ALU0808B
		7'-2"	6'-8 ¹ / ₂ "	10'-2"	7'-8"	12"	4'-8"	8"	369	3ALU0808B
		7'-2"	6'-8 ¹ / ₂ "	12'-2"***	9'-8"***	12"	4'-8"	8"	416	3ALU0808B
	10'	9'-2"	8'-8 ¹ / ₂ "	8'-2"	6'-2"	12"	4'-8"	8"	372	3ALU1008B
		9'-2"	8'-8 ¹ / ₂ "	10'-2"	7'-8"	12"	4'-8"	8"	391	3ALU1010B
		9'-2"	8'-8 ¹ / ₂ "	12'-2"***	9'-8"***	12"	4'-8"	8"	438	3ALU1012B
	12'	11'-2"	10'-8 ¹ / ₂ "	8'-2"	6'-2"	12"	4'-8"	8"	426	3ALU1208B
		11'-2"	10'-8 ¹ / ₂ "	10'-2"	7'-8"	12"	4'-8"	8"	445	3ALU1210B
		11'-2"	10'-8 ¹ / ₂ "	12'-2"***	9'-8"***	12"	4'-8"	8"	491	3ALU1212B
	15'	14'-2"	13'-8 ¹ / ₂ "	8'-2"	6'-2"	12"	4'-8"	8"	467	3ALU1508B
		14'-2"	13'-8 ¹ / ₂ "	10'-2"	7'-8"	12"	4'-8"	8"	479	3ALU1510B
		14'-2"	13'-8 ¹ / ₂ "	12'-2"***	9'-8"***	12"	4'-8"	8"	532	3ALU1512B



I-Beam	Flange Width
ALU5"-3.43#	3"
ALU6"-4.3#	3 ¹ / ₂ "
ALU8"-6.35#	4"
ALU10"-8.76#	4 ¹ / ₂ "
ALU12"-10.99#	5"

Green shading reflects rental inventory.

* Capped I-Beam

** 2' extension to top of gantry is removable and can be ordered separately to increase height of 9 ft. model. For 1/2 ton models only.

*** 2' extension to top of gantry is removable and can be ordered separately to increase height of 8 ft. or 10 ft. models. For 1 ton, 2 ton or 3 ton models.



Lifting Gear Hire Corporation | 800.878.7305

